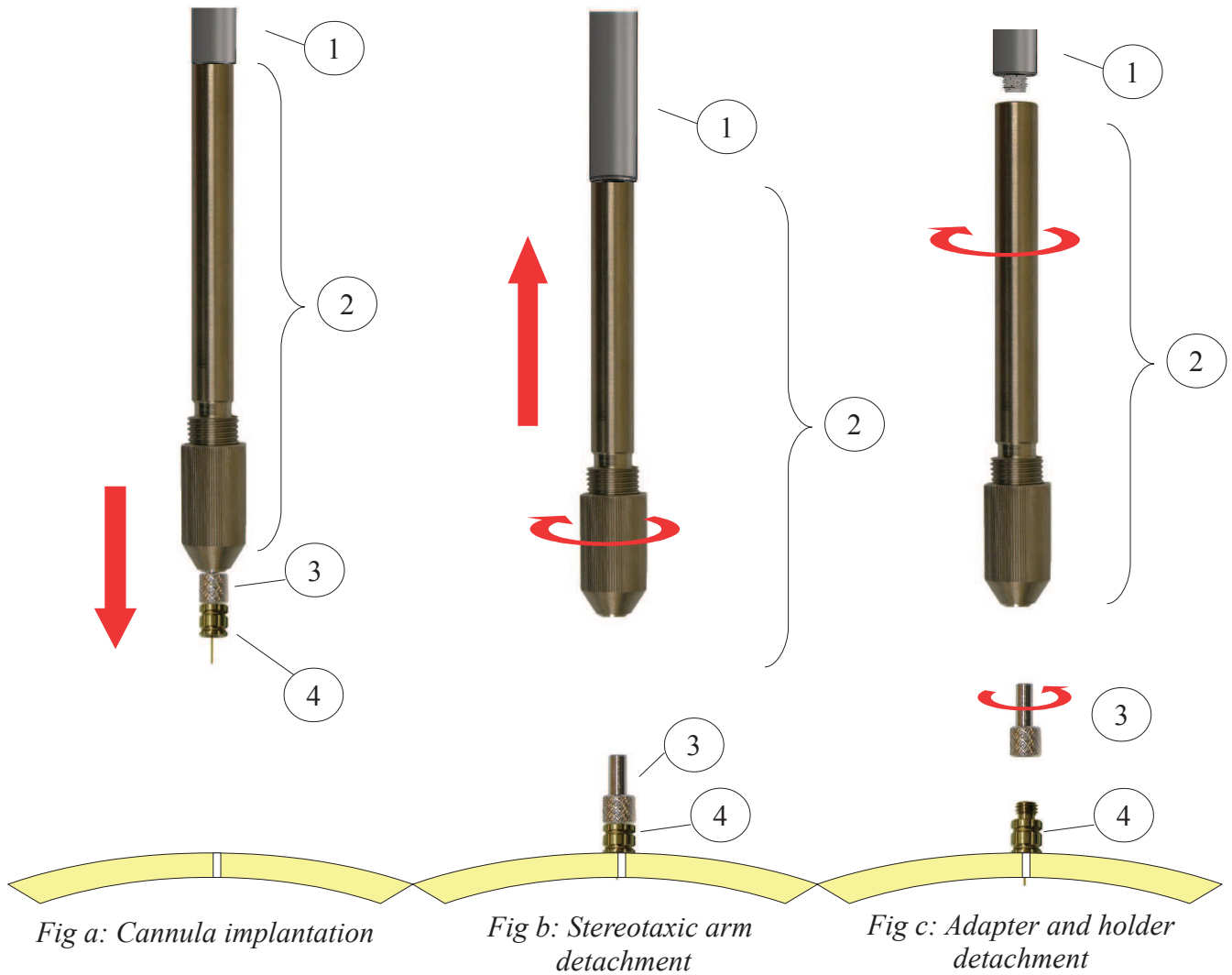


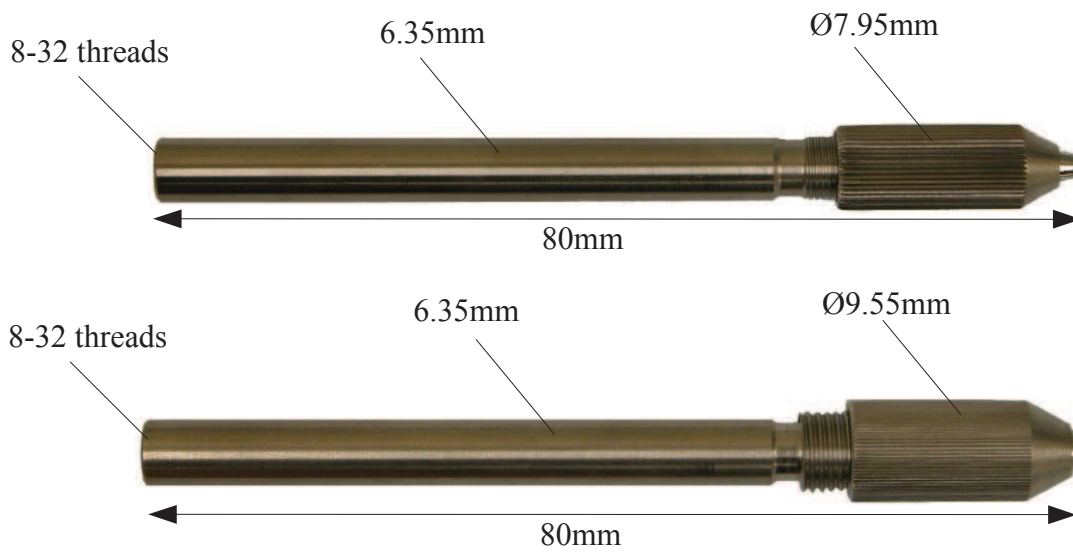
Stereotaxic holders and adapters

Stereotaxic arm (1) is valued for its positioning precision. However, when it comes to positioning the fiber-optic cannula, some of the precision is lost when attaching or detaching the cannula to the arm. To simplify the implantation of the cannula and maintain the precision, we have developed a stereotaxic cannula holder (2) and fiber-optic cannula adapters(3) for attaching our M3 cannulas to the stereotaxic arm.



- 1 Stereotaxic arm
- 2 Stereotaxic cannula holder
- 3 Fiber-optic cannula adapter
- 4 Cannula

Stereotaxic Cannula Holder



ORDERING CODE : SCH_□□□

Ferrule diameter (mm)

2.50, 1.25

M3 receptacle adapter

ORDERING CODE : FCA_□□□_RM3

Attachment diameter

2.50, 1.25



Fiber-optic cannula adapter – 2.5mm



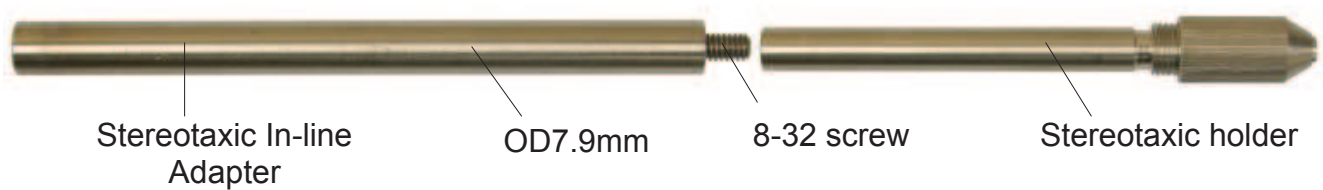
Fiber-optic cannula adapter – 1.25mm

Adapters for Stereotaxic holder

We offer adapters to attach our stereotaxic holders on stereotaxic frames that use 7.9 mm diameter rods as standard. We can offer other adapters on request.

In-line adapter

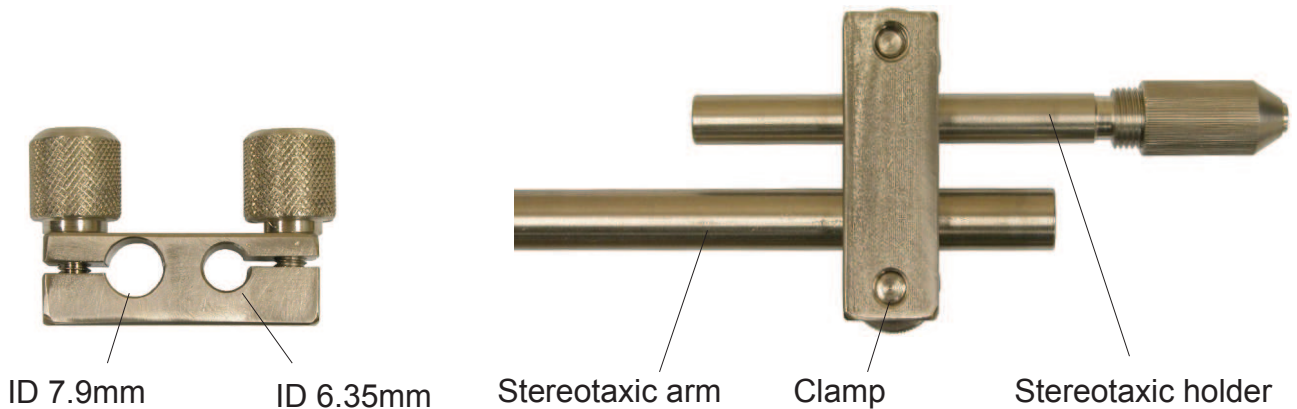
This adapter consists of a 7.9mm diameter rod, with 8-32 threads at one end, and 4-40 threads at the other end.



ORDERING CODE : SIA_7.9

Clamp

This adapter is a double clamp, designed to hold a 7.9mm diameter rod on one side and a 6.35mm diameter rod on the other side.



ORDERING CODE : SCL_7.9