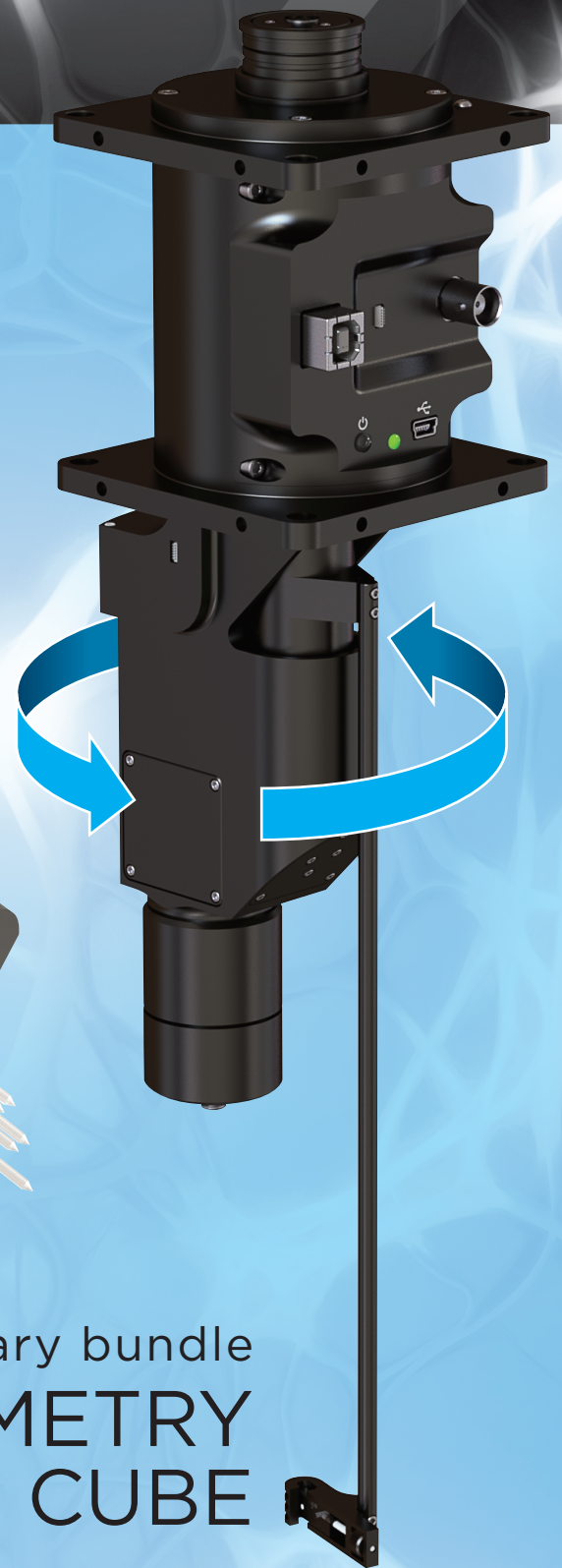


Rotary Bundle Photometry System

High-density Fiber-optic
**PATCH CORD
& CANNULA
ARRAY**



Rotary bundle
**PHOTOMETRY
CUBE**



@doriclenses

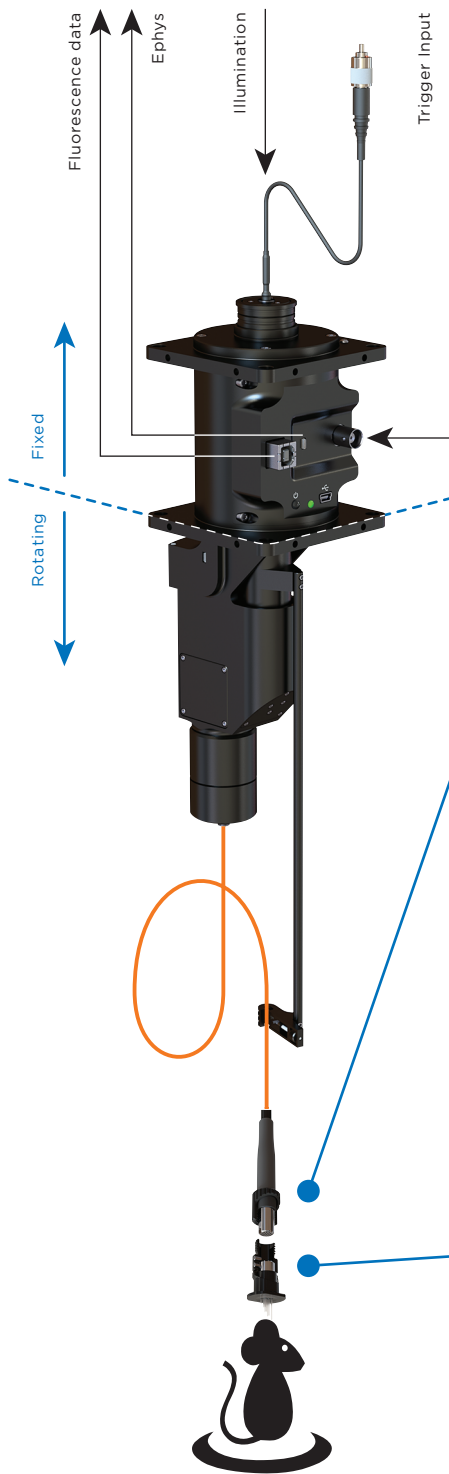


Doric Lenses Inc.

doric

doriclenses.com

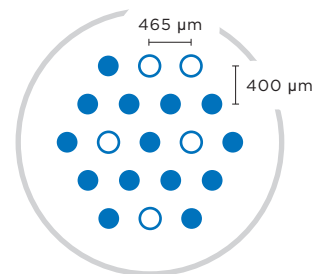
Rotary Bundle Photometry System



- **Multi-site:** Up to 7 sites with $\text{\O}400 \mu\text{m}$ fibers or up to 19 sites with $\text{\O}200 \mu\text{m}$ fibers
- **Field of view** $\text{\O}1.25 \text{ mm}$
- **Kholler design** provides uniform illumination to all fibers
- **Available in two configurations**
 - GCaMP + RFP
 - GCaMP + Red-shifted optogenetic stimulation
- **Assisted rotation** suitable for mice
- **Connector** for Doric ephys headstages

High-density Fiber-optic PATCH CORD

- The bundled end connects to the sample port of the Rotary Bundle Photometry System
- Other end fits the 19 holes hexagonal pattern of High-density Fiber optic Cannula Array with preselected fiber positions
- 7 or less $\text{\O}400 \mu\text{m}$ fiber strands or 19 or less $\text{\O}200 \mu\text{m}$ fiber strands



High-density Fiber-optic CANNULA ARRAY

- Up to 7 or fewer $\text{\O}400 \mu\text{m}$ fibers in user-selected places within the 19 holes hexagonal pattern
- Up to 19 or fewer $\text{\O}200 \mu\text{m}$ fibers in user-selected places within the 19 holes hexagonal pattern
- User-defined fiber protrusion and fiber tip shape

doric

Doric Lenses Inc. | 357, rue Franquet, Québec (Québec) G1P4N7 Canada
1 418 877-5600 | doriclenses.com | sales@doriclenses.com