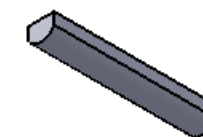
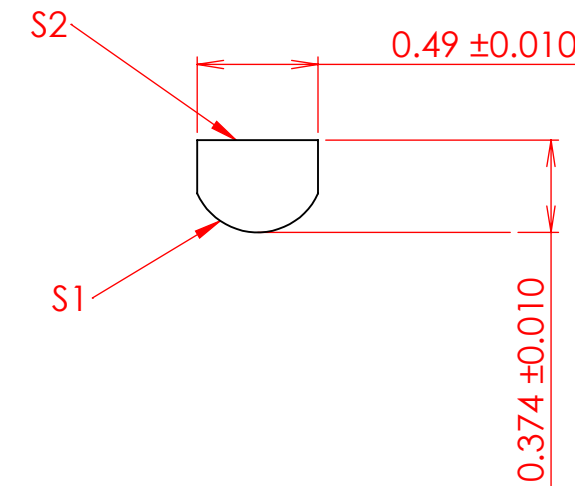
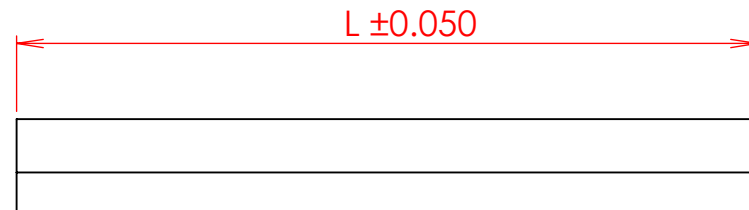


	8	7	6	5	4	3	2	1	
	R	CC	A2	A4	A6	A8	A10	C.A.	NOTES
S1	-0.2264	-0.45	0	-5.257e-1	2.8338e1	-6.5118e2	1.5842e4		
S2	Plano								

$$Y = \frac{\frac{1}{R}x^2}{1 + \sqrt{1 - \frac{(K+1)x^2}{R^2}}} + A_4x^4 + A_6x^6 + A_8x^8 + A_{10}x^{10}$$



Notes:

- Design wavelength: 808 nm
- EFL= 0.275 mm
- WD = 0.07 mm
- Surface S1 and S2:  
Quality: Scr/Dig: 40-20  
Irregularity: S1: P-V =1 micron over C.A  
S2: lambda/4 over C.A
- All the other surfaces fine ground (600 grit).
- Centering tolerance: Tilt <0.25 deg
- Focal length tolerance: ± 3%

**PROPRIETARY AND CONFIDENTIAL**  
THE INFORMATION CONTAINED IN THIS DRAWING IS THE SOLE PROPERTY OF **Doric Lenses Inc.** ANY REPRODUCTION IN PART OR AS A WHOLE WITHOUT THE WRITTEN PERMISSION OF **Doric Lenses Inc.** IS PROHIBITED.

UNLESS OTHERWISE SPECIFIED:		NAME	DATE	357 rue Franquet, Quebec, QC G1P 4N7, Canada, Tel: 418 877 5600
DIMENSIONS ARE IN MM		DRAWN		
ANGULAR: ± 0.25 deg		CHECKED		TITLE:
ONE PLACE DECIMAL ±0.1		ENG APPR.		<b>ACL_PCX_INF_S-TIH53_0.275(L)</b>
TWO PLACE DECIMAL ±0.05		MFG APPR.		
THREE PLACE DECIMAL ±0.005		Q.A.		SIZE
INTERPRET GEOMETRIC TOLERANCING PER:		Third angle projection:		DWG. NO.
MATERIAL				REV
FINISH				<b>B</b>
DO NOT SCALE DRAWING				D141-0356
				SCALE: 10:1
				WEIGHT:
				SHEET 1 OF 1