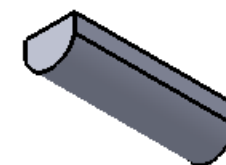
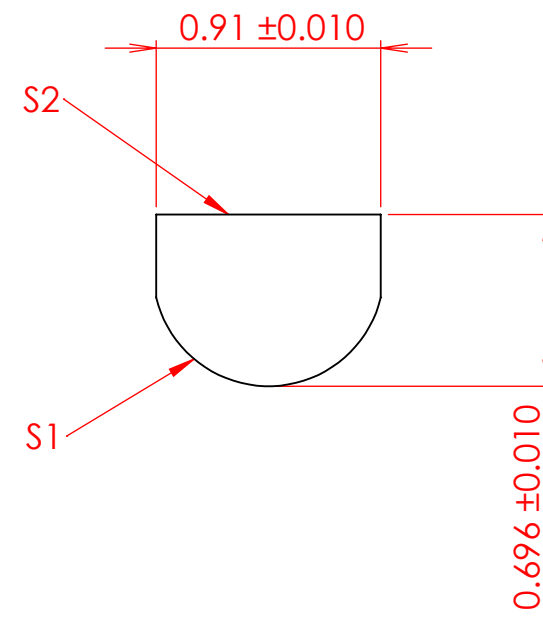
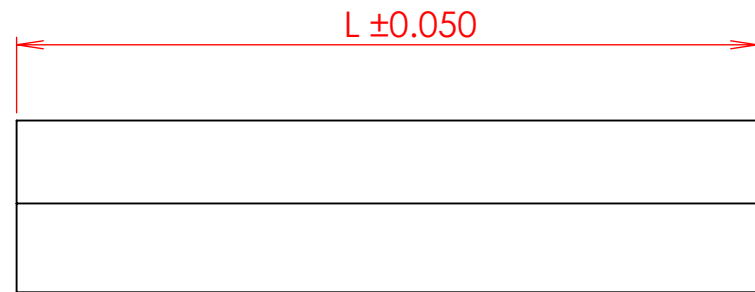


	R	CC	A2	A4	A6	A8	A10	C.A.	NOTES
S1	-0.4213	-0.45	0	-8.1500e-2	1.2667e0	-8.3973e0	5.8934e1		
S2	Plano								

$$Y = \frac{\frac{1}{R}x^2}{1 + \sqrt{1 - \frac{(K+1)x^2}{R^2}}} + A_4x^4 + A_6x^6 + A_8x^8 + A_{10}x^{10}$$



Notes:

- Design wavelength: 808 nm
- EFL = 0.512 mm
- WD = 0.130 mm
- Surface S1 and S2:  
Quality: Scr/Dig: 40-20  
Irregularity: S1: P-V = 1 micron over C.A  
S2:  $\lambda/4$  over C.A
- All the other surfaces fine ground (600 grit).
- Centering tolerance: Tilt < 0.25 deg
- Focal length tolerance:  $\pm 3\%$

**PROPRIETARY AND CONFIDENTIAL**  
THE INFORMATION CONTAINED IN THIS DRAWING IS THE SOLE PROPERTY OF **Doric Lenses Inc.** ANY REPRODUCTION IN PART OR AS A WHOLE WITHOUT THE WRITTEN PERMISSION OF **Doric Lenses Inc.** IS PROHIBITED.

UNLESS OTHERWISE SPECIFIED:	NAME	DATE
DIMENSIONS ARE IN MM	DRAWN	
ANGULAR: $\pm 0.25$ deg	CHECKED	
ONE PLACE DECIMAL $\pm 0.1$	ENG APPR.	
TWO PLACE DECIMAL $\pm 0.05$	MFG APPR.	
THREE PLACE DECIMAL $\pm 0.005$	Q.A.	
INTERPRET GEOMETRIC TOLERANCING PER:	Third angle projection:	
MATERIAL		
FINISH		
DO NOT SCALE DRAWING		

UNLESS OTHERWISE SPECIFIED:		NAME	DATE
DIMENSIONS ARE IN MM		DRAWN	
ANGULAR: $\pm 0.25$ deg		CHECKED	
ONE PLACE DECIMAL $\pm 0.1$		ENG APPR.	
TWO PLACE DECIMAL $\pm 0.05$		MFG APPR.	
THREE PLACE DECIMAL $\pm 0.005$		Q.A.	
INTERPRET GEOMETRIC TOLERANCING PER:		Third angle projection:	
MATERIAL			
FINISH			
DO NOT SCALE DRAWING			

		357 rue Franquet, Quebec, QC G1P 4N7, Canada, Tel: 418 877 5600	
TITLE:			
<b>ACL_PCX_INF_S-TIH53_0.512(L)</b>			
SIZE	DWG. NO.	REV	
<b>B</b>	D141-0361	<b>01</b>	
SCALE: 10:1	WEIGHT:	SHEET 1 OF 1	