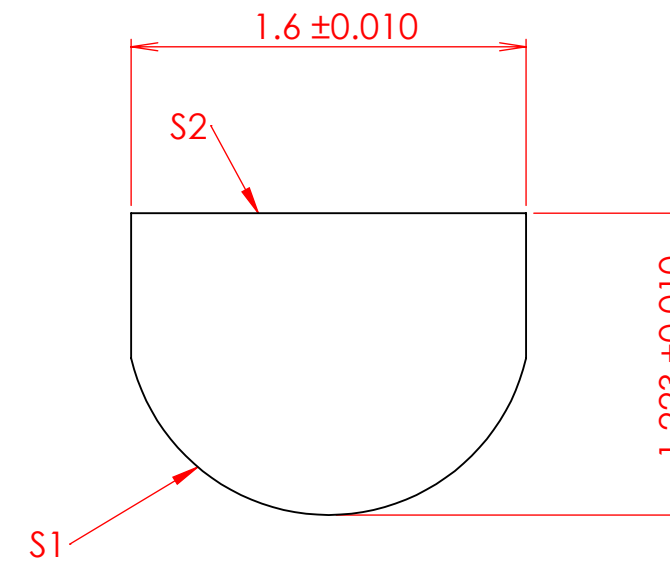
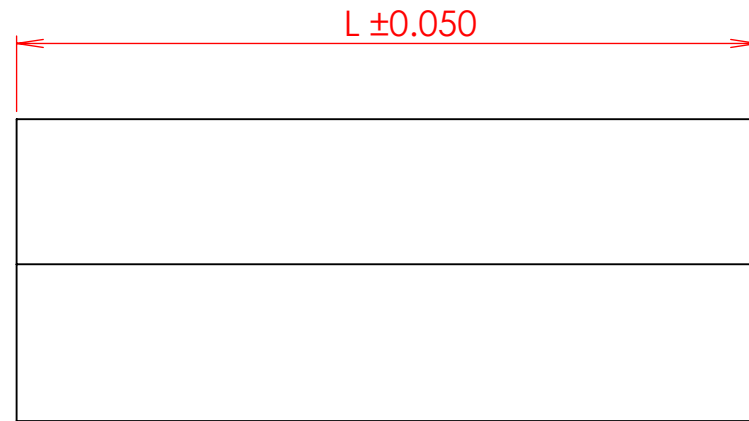


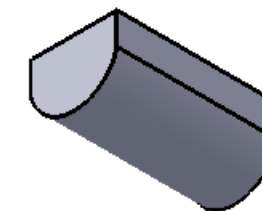
	8	7	6	5	4	3	2	1	
	R	CC	A2	A4	A6	A8	A10	C.A.	NOTES
S1	-0.7406	-0.45	0	-1.500e-2	7.55e-2	-1.620e-1	3.680e-1		
S2	Plano								

$$Y = \frac{\frac{1}{R}x^2}{1 + \sqrt{1 - \frac{(K+1)x^2}{R^2}}} + A_4x^4 + A_6x^6 + A_8x^8 + A_{10}x^{10}$$



Notes:

1. Design wavelength: 808 nm
2. EFL= 0.900 mm
3. WD = 0.228 mm
4. Surface S1 and S2:
Quality: Scr/Dig: 40-20
Irregularity: S1: P-V =1 micron over C.A
S2: lambda/4 over C.A
5. All the other surfaces fine ground (600 grit).
6. Centering tolerance: Tilt <0.25 deg
7. Focal length tolerance: ± 3%



PROPRIETARY AND CONFIDENTIAL
THE INFORMATION CONTAINED IN THIS DRAWING IS THE SOLE PROPERTY OF **Doric Lenses Inc.** ANY REPRODUCTION IN PART OR AS A WHOLE WITHOUT THE WRITTEN PERMISSION OF **Doric Lenses Inc.** IS PROHIBITED.

UNLESS OTHERWISE SPECIFIED:	NAME	DATE
DIMENSIONS ARE IN MM	DRAWN	
ANGULAR: ± 0.25 deg	CHECKED	
ONE PLACE DECIMAL ±0.1	ENG APPR.	
TWO PLACE DECIMAL ±0.05	MFG APPR.	
THREE PLACE DECIMAL ±0.005	Q.A.	
INTERPRET GEOMETRIC TOLERANCING PER:	Third angle projection:	
MATERIAL		
FINISH		
DO NOT SCALE DRAWING		

doric 357 rue Franquet, Quebec, QC G1P 4N7, Canada, Tel: 418 877 5600	
TITLE: ACL_PCX_INF_S-TIH53_0.900(L)	
SIZE B	DWG. NO. D141-0363
SCALE: 10:1	WEIGHT:
REV 01	SHEET 1 OF 1