

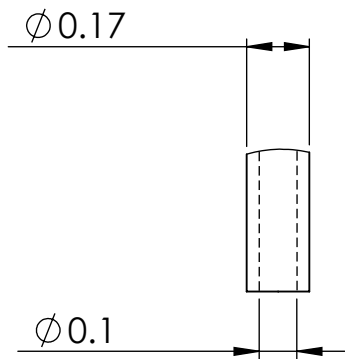
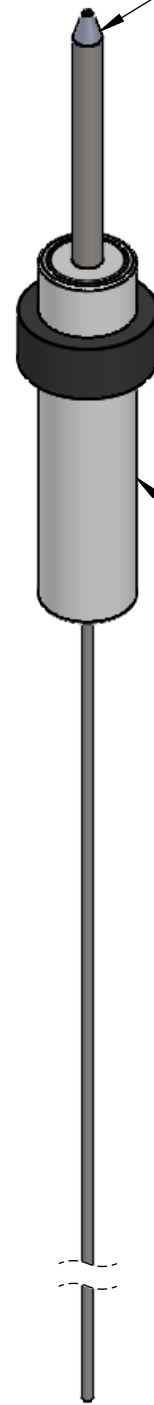
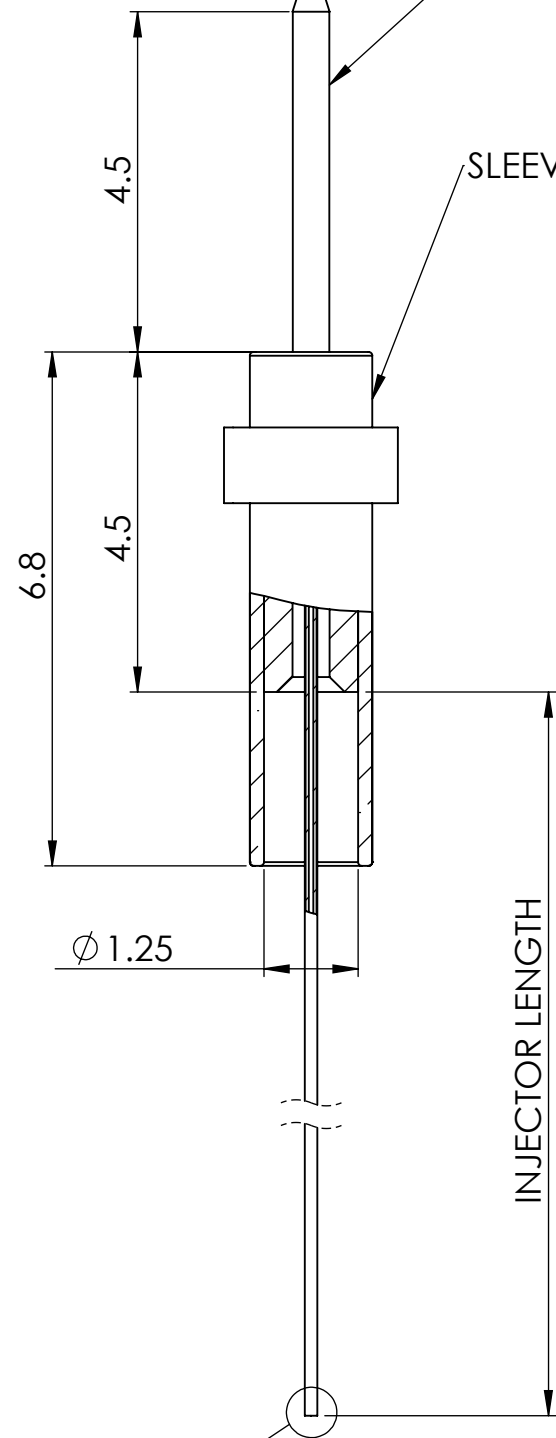
THROUGH HOLE 100  $\mu\text{m}$

STAINLESS STEEL  
TUBE 25 GA  
OD=0.485

SLEEVE FOR ZF1.25

EPOXY GLUE BEVEL

ZIRCONIA (ZrO<sub>2</sub>)



DETAIL A  
SCALE 50 : 1

Dimensions in mm  
For Information Purposes Only

**PROPRIETARY**  
THE INFORMATION CONTAINED IN THIS DRAWING  
IS THE SOLE PROPERTY OF **Doric Lenses Inc.**..  
ANY REPRODUCTION IN PART OR AS A WHOLE  
WITHOUT THE WRITTEN PERMISSION OF  
**Doric Lenses Inc.** IS PROHIBITED.

DO NOT SCALE DRAWING

<b>doric</b>		357 rue Franquet, Quebec, QC G1P 4N7, Canada; Tel: 418 877 5600; doriclenses.com;	
TITLE:		FL_SICL-ZF	
DWG. NO.		B286-XXXX-023	
		18-5-2022	