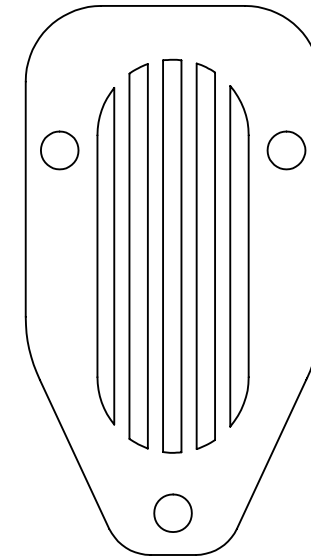
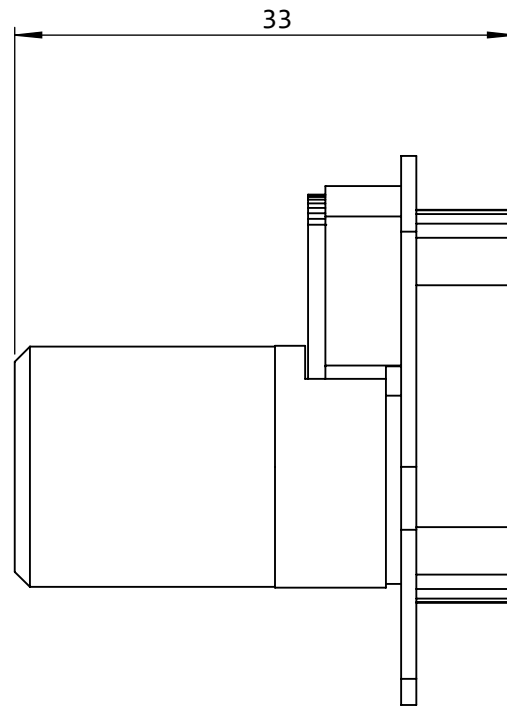
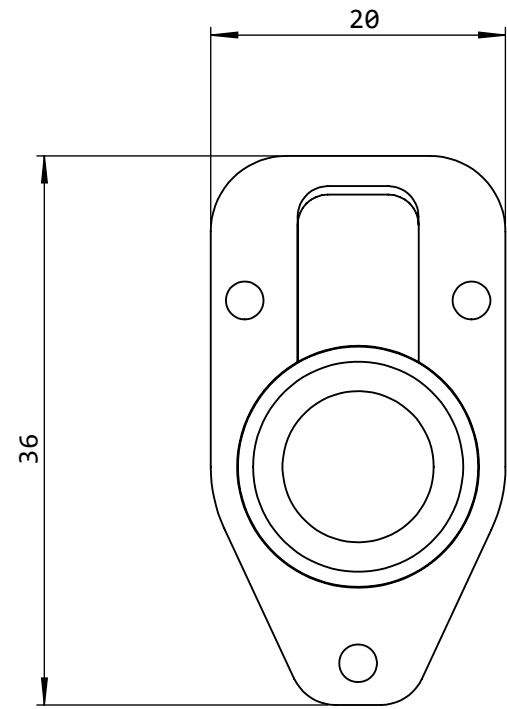


8 7 6 5 4 3 2 1

D

D

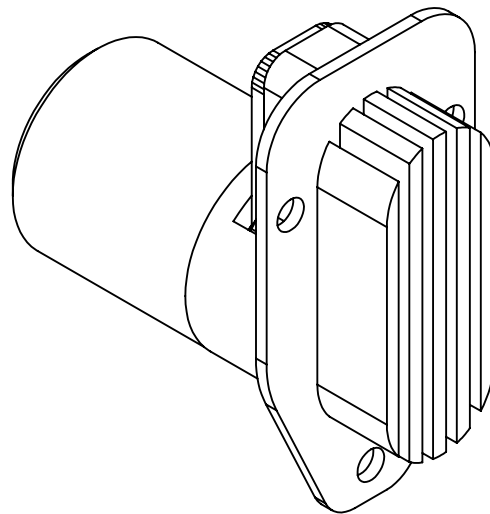
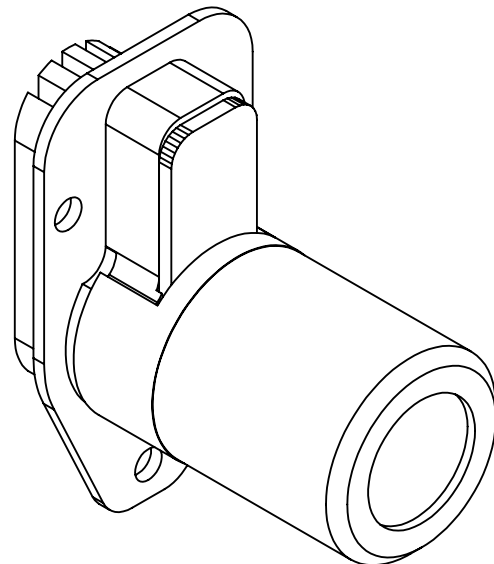


C

C

B

B



A

A

8

7

6

5

4

3

2

1

Dimensions in mm
For Information Purposes Only

PROPRIETARY
THE INFORMATION CONTAINED IN THIS DRAWING
IS THE SOLE PROPERTY OF **Doric Lenses Inc.**..
ANY REPRODUCTION IN PART OR AS A WHOLE
WITHOUT THE WRITTEN PERMISSION OF
Doric Lenses Inc. IS PROHIBITED.

DO NOT SCALE DRAWING

doric

357 rue Franquet, Quebec, QC
G1P 4N7, Canada;
Tel: 418 877 5600;
doriclenses.com;

TITLE:

ILED-RBFMC

DWG. NO.

D420-1402-XXX

8-9-2025