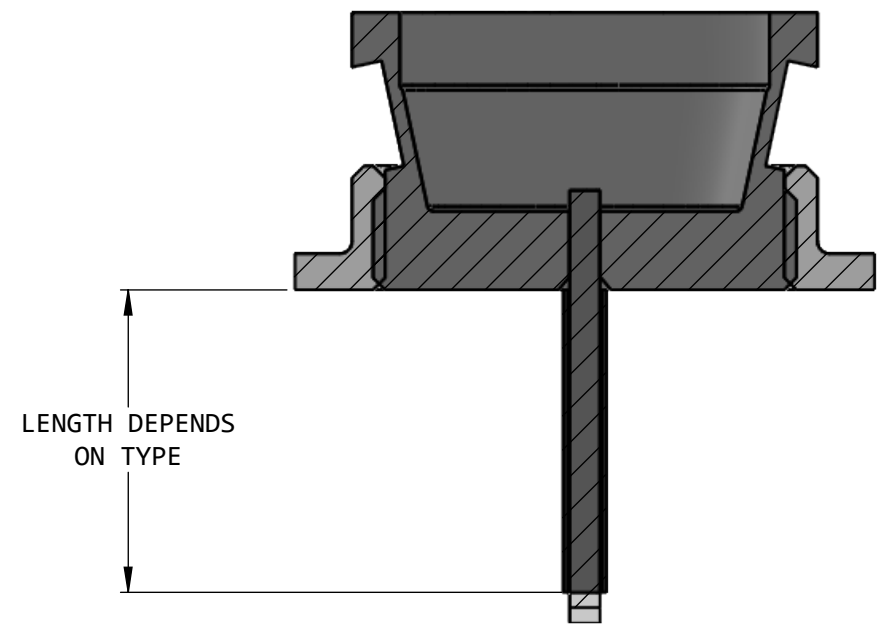


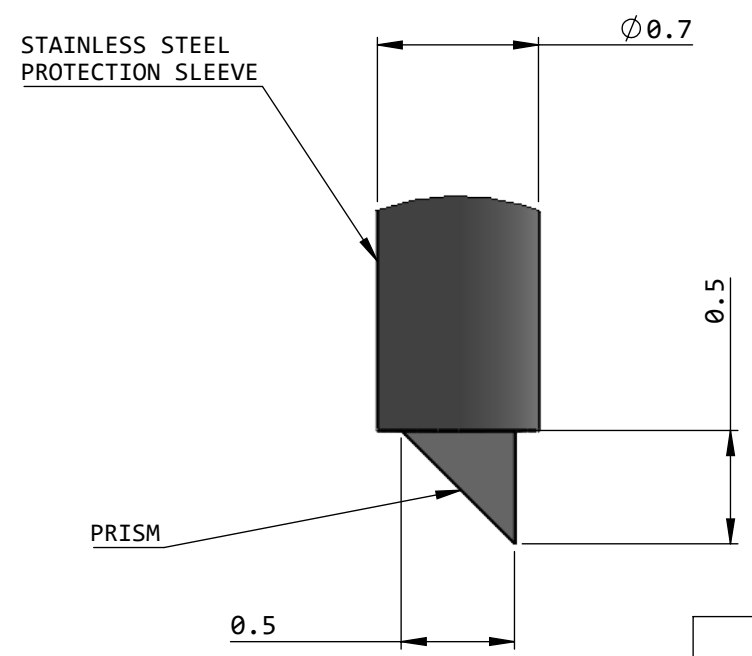
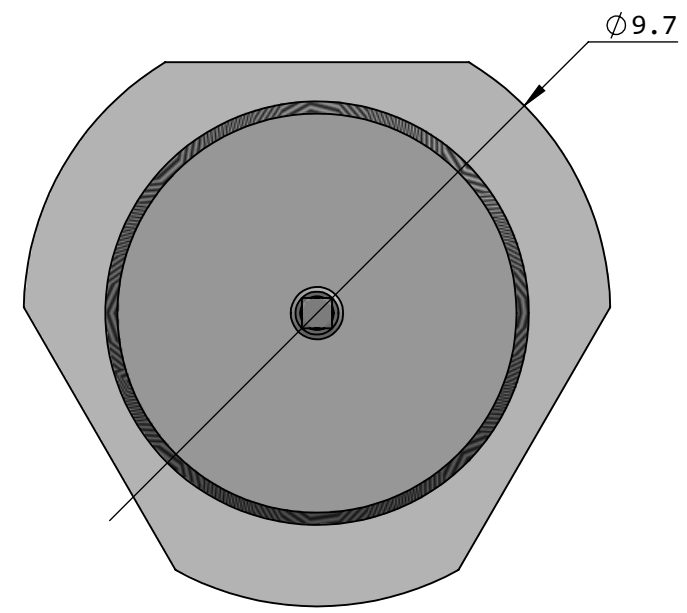
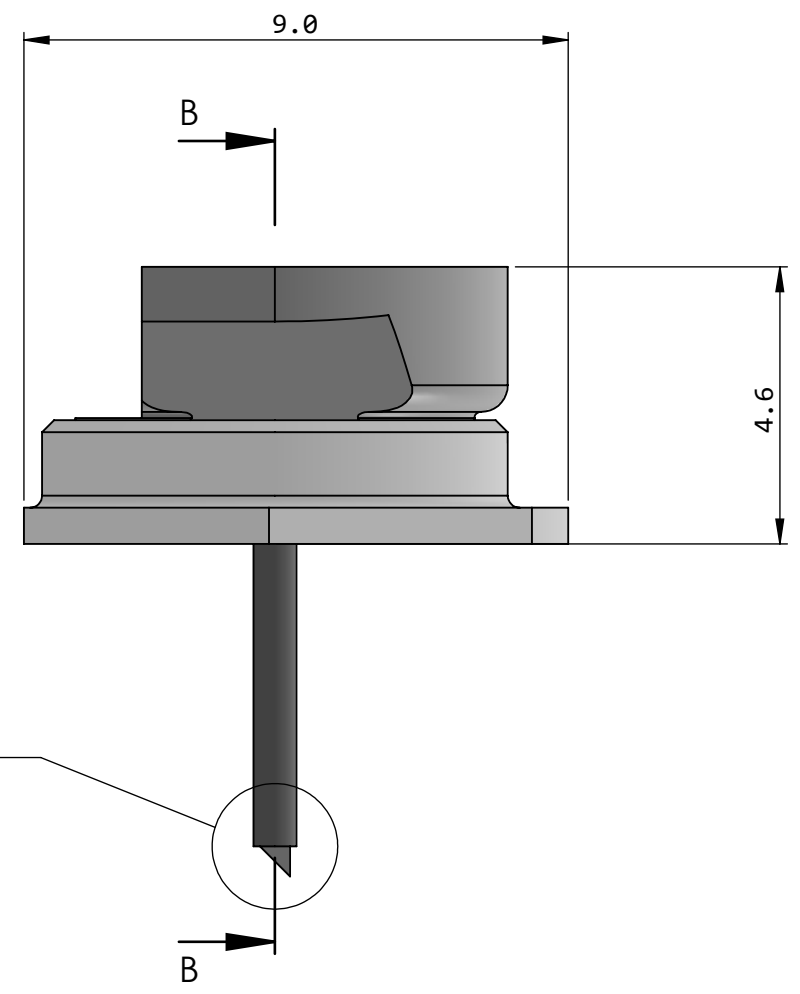
8 7 6 5 4 3 2 1

D  
C  
B  
A

D  
C  
B  
A



SECTION B-B  
SCALE 8 : 1



DETAIL A  
SCALE 30 : 1

Dimensions in mm  
For Information Purposes Only

**PROPRIETARY**  
THE INFORMATION CONTAINED IN THIS DRAWING  
IS THE SOLE PROPERTY OF **Doric Lenses Inc.**..  
ANY REPRODUCTION IN PART OR AS A WHOLE  
WITHOUT THE WRITTEN PERMISSION OF  
**Doric Lenses Inc.** IS PROHIBITED.

DO NOT SCALE DRAWING

<b>doric</b>	357 rue Franquet, Quebec, QC G1P 4N7, Canada; Tel: 418 877 5600; doriclenses.com;
--------------	--

TITLE:	<b>Snap-in Imaging Cannula Model L with Prism</b>
--------	---

DWG. NO.	<b>B293-015X-XX</b>
----------	---------------------

28-1-2021

8 7 6 5 4 3 2 1