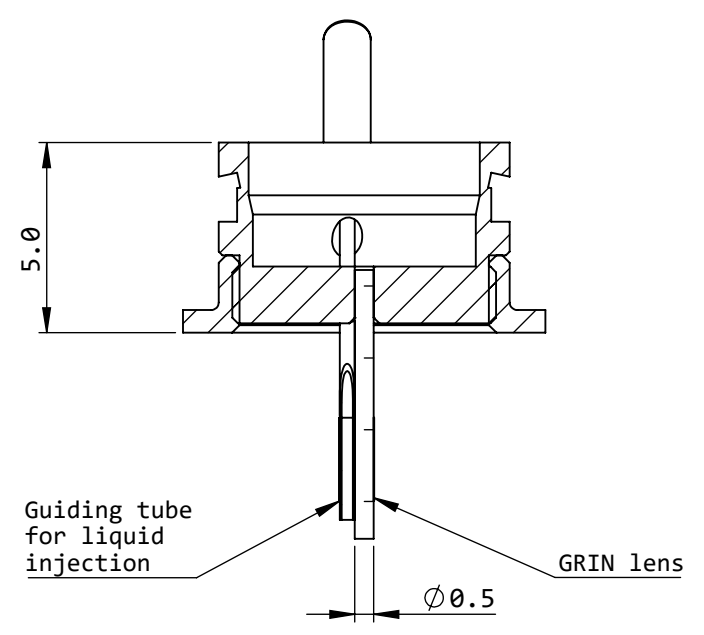
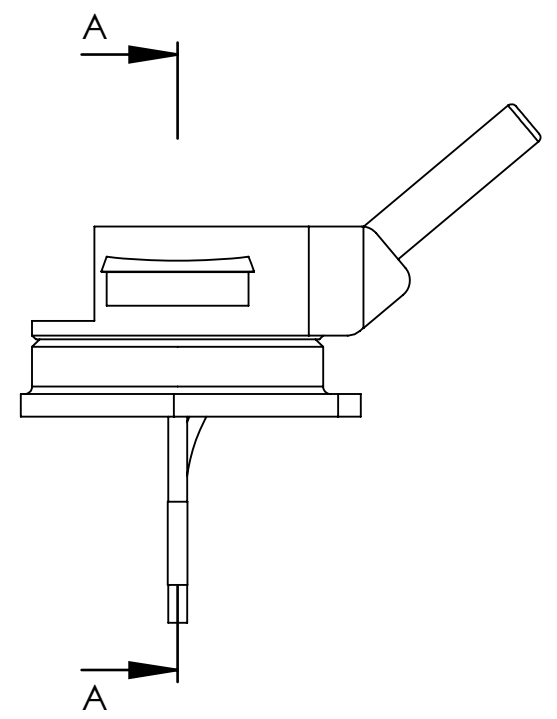
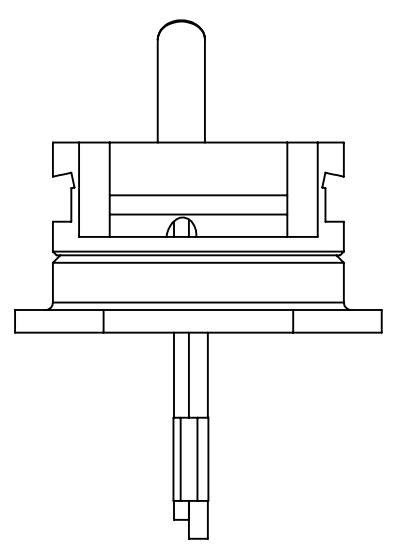
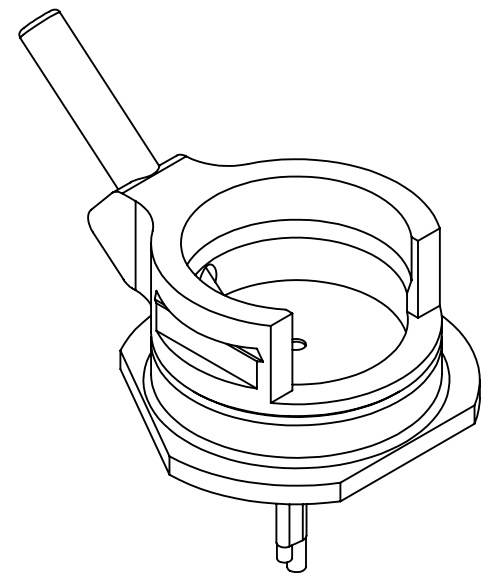
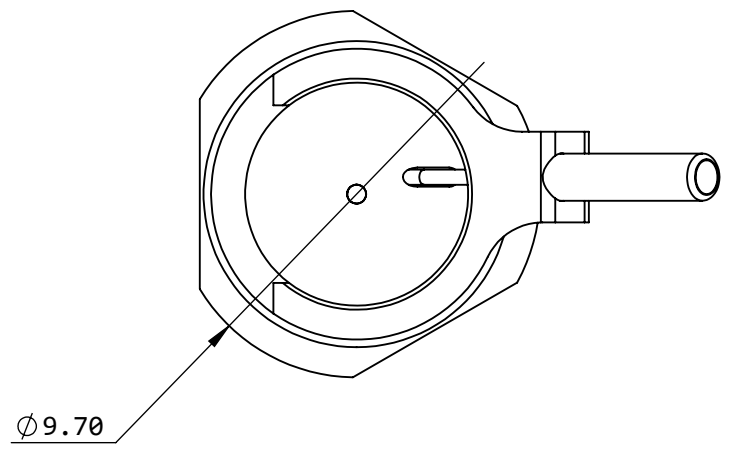
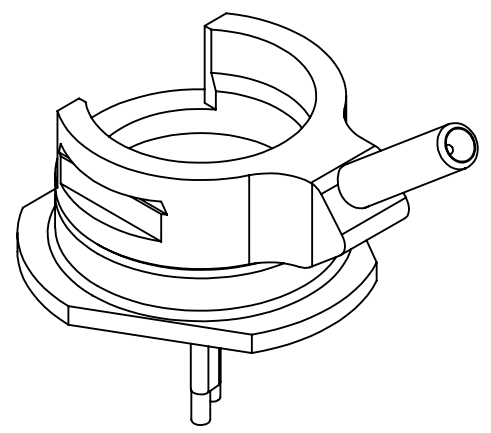



8 7 6 5 4 3 2 1

D  
C  
B  
A

D  
C  
B  
A



SECTION A-A

	357 rue Franquet, Quebec, QC G1P 4N7, Canada; Tel: 418 877 5600; doriclenses.com;
	TITLE: <h2 style="text-align: center;">SICL_fluid</h2>
DWG. NO. <h2 style="text-align: center;">B293-0032-XX</h2>	2021-01-27

Dimensions in mm  
For Information Purposes Only

**PROPRIETARY**  
THE INFORMATION CONTAINED IN THIS DRAWING IS THE SOLE PROPERTY OF **Doric Lenses Inc.** ANY REPRODUCTION IN PART OR AS A WHOLE WITHOUT THE WRITTEN PERMISSION OF **Doric Lenses Inc.** IS PROHIBITED.

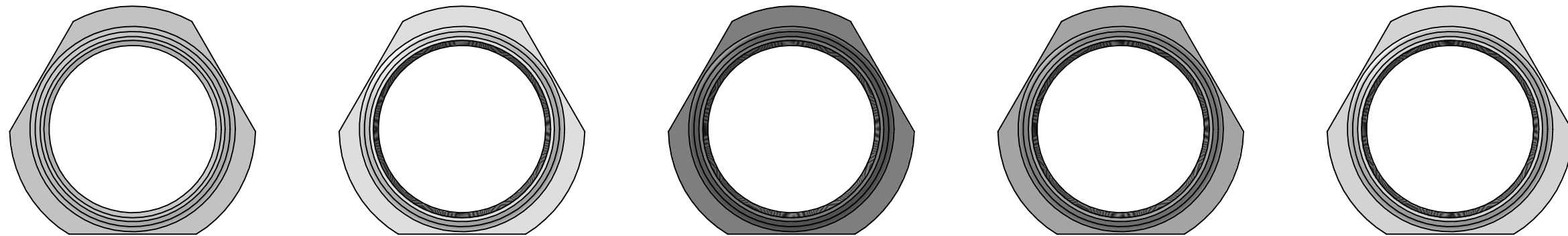
DO NOT SCALE DRAWING

8 7 6 5 4 3 2 1

8 7 6 5 4 3 2 1

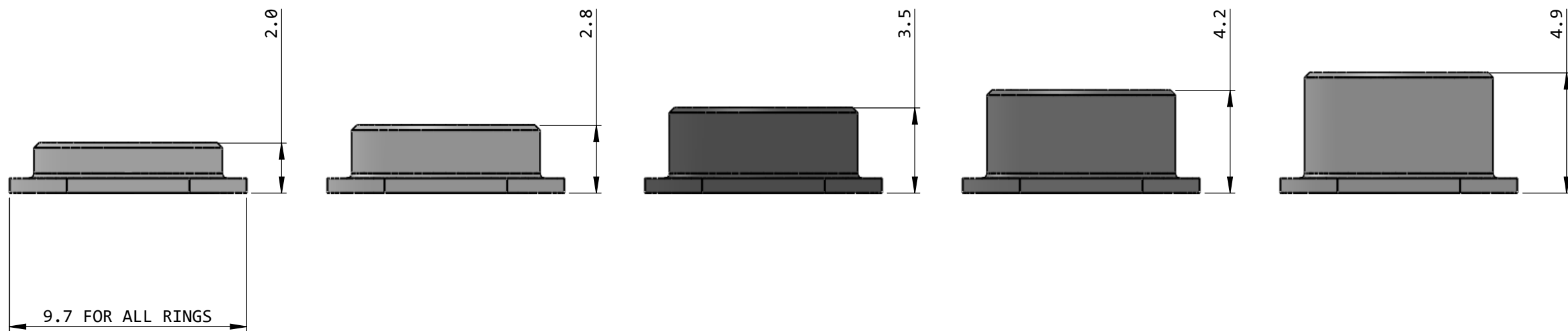
D

D



C

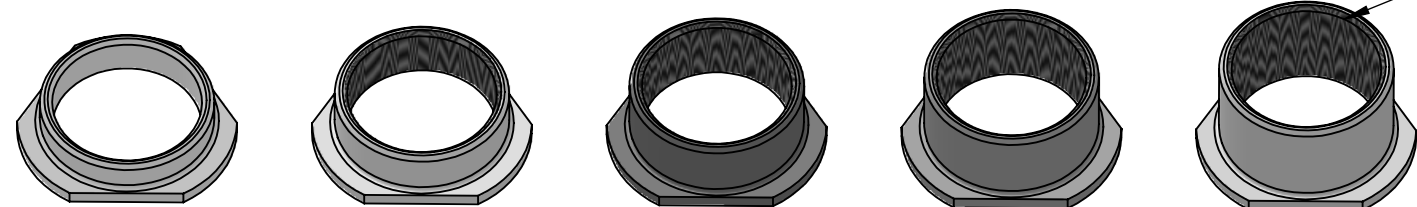
C



B

B

THREAD M7x0.3 ALL RINGS



A

A

Dimensions in mm  
For Information Purposes Only

**PROPRIETARY**  
THE INFORMATION CONTAINED IN THIS DRAWING  
IS THE SOLE PROPERTY OF **Doric Lenses Inc.**..  
ANY REPRODUCTION IN PART OR AS A WHOLE  
WITHOUT THE WRITTEN PERMISSION OF  
**Doric Lenses Inc.** IS PROHIBITED.

DO NOT SCALE DRAWING

<b>doric</b>	357 rue Franquet, Quebec, QC G1P 4N7, Canada; Tel: 418 877 5600; doriclenses.com;
	TITLE:
DWG. NO.	B293-0032-XX

8 7 6 5 4 3 2 1