

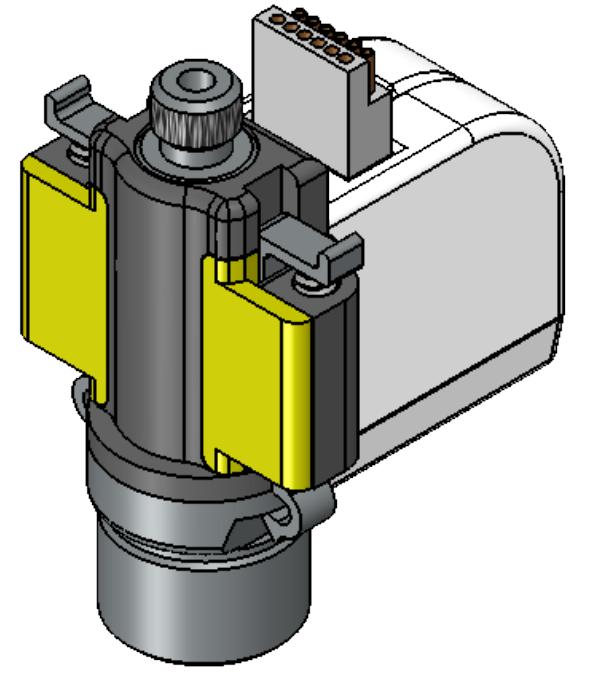
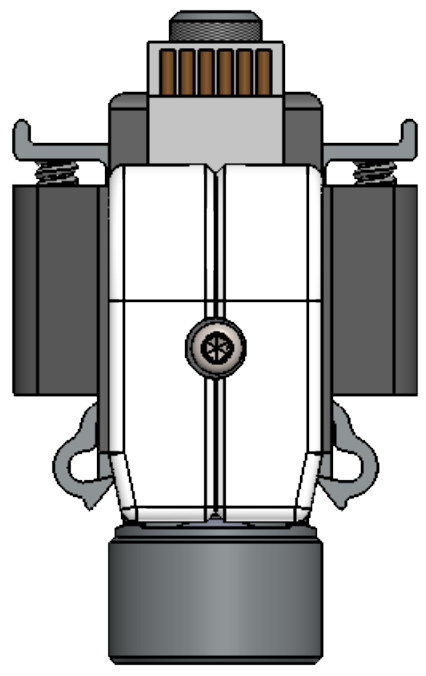
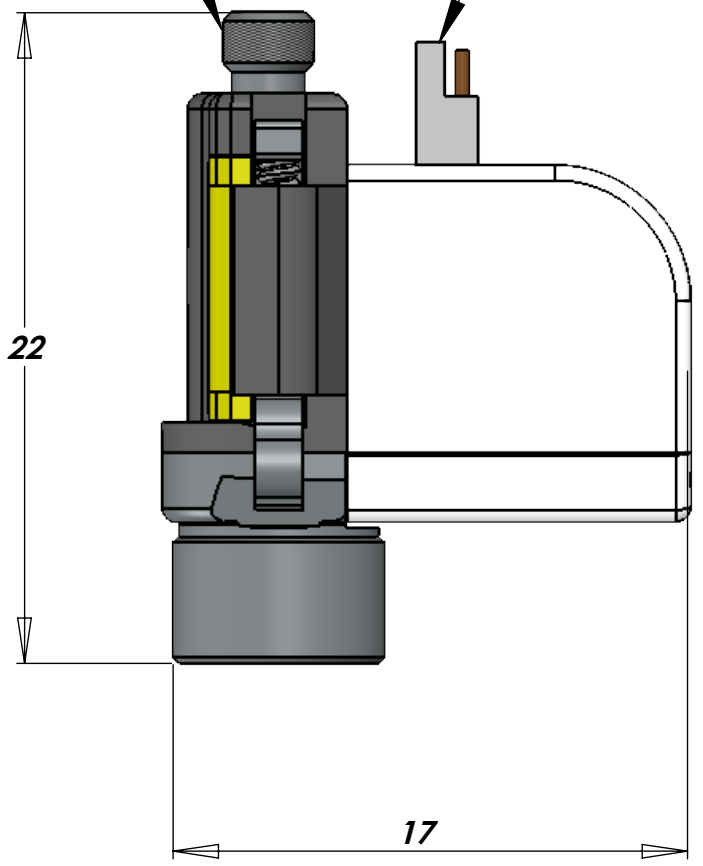
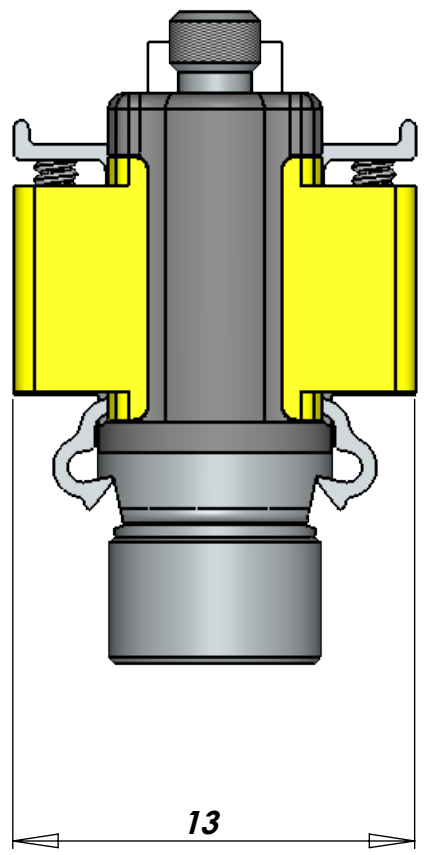
8 7 6 5 4 3 2 1

D
C
B
A

D
C
B
A

M3 CONNECTOR


ELECTRICAL CONNECTOR



Dimensions in mm
For Information Purposes Only

PROPRIETARY
THE INFORMATION CONTAINED IN THIS DRAWING IS THE SOLE PROPERTY OF **Doric Lenses Inc.** ANY REPRODUCTION IN PART OR AS A WHOLE WITHOUT THE WRITTEN PERMISSION OF **Doric Lenses Inc.** IS PROHIBITED.

DO NOT SCALE DRAWING

	357 rue Franquet, Quebec, QC G1P 4N7, Canada; Tel: 418 877 5600; doriclenses.com;
	TITLE: <p style="text-align: center;">2CFM_S</p>
DWG. NO. <p style="text-align: center;">B350-1213</p>	21/11/2017

8 7 6 5 4 3 2 1

1