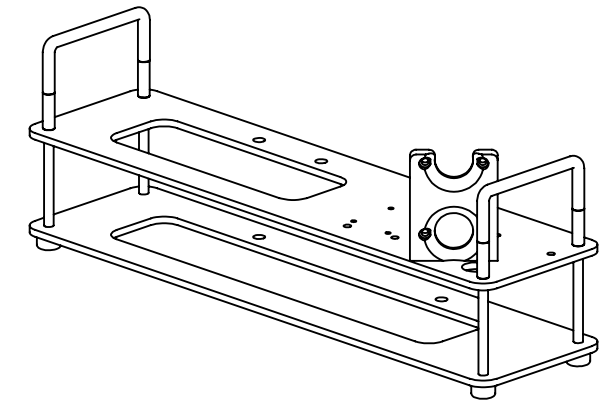
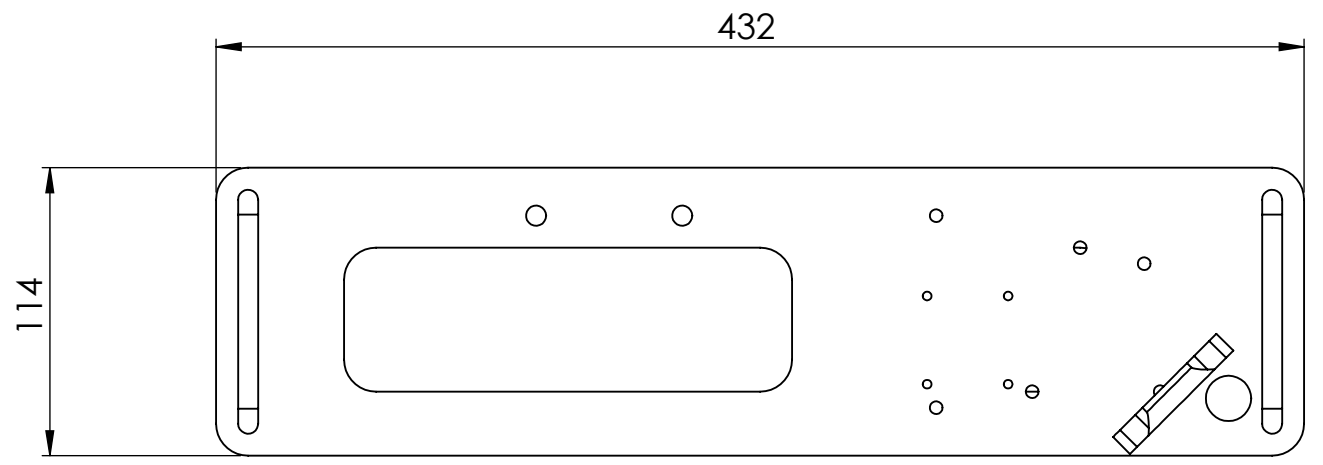
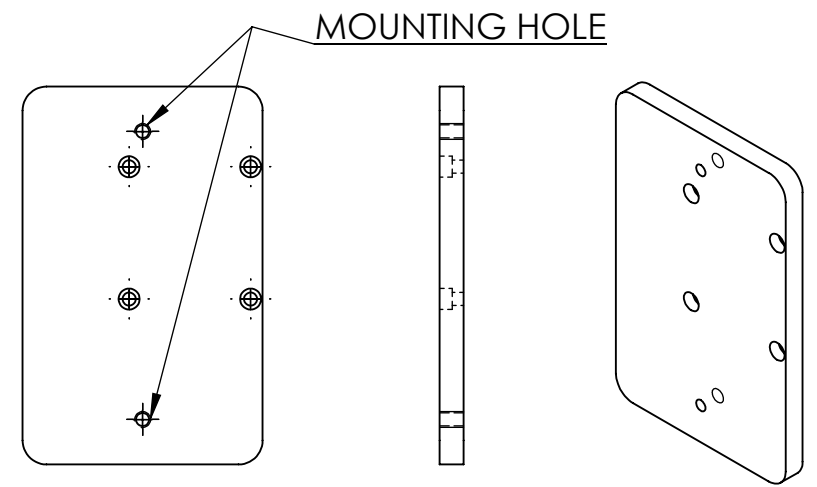
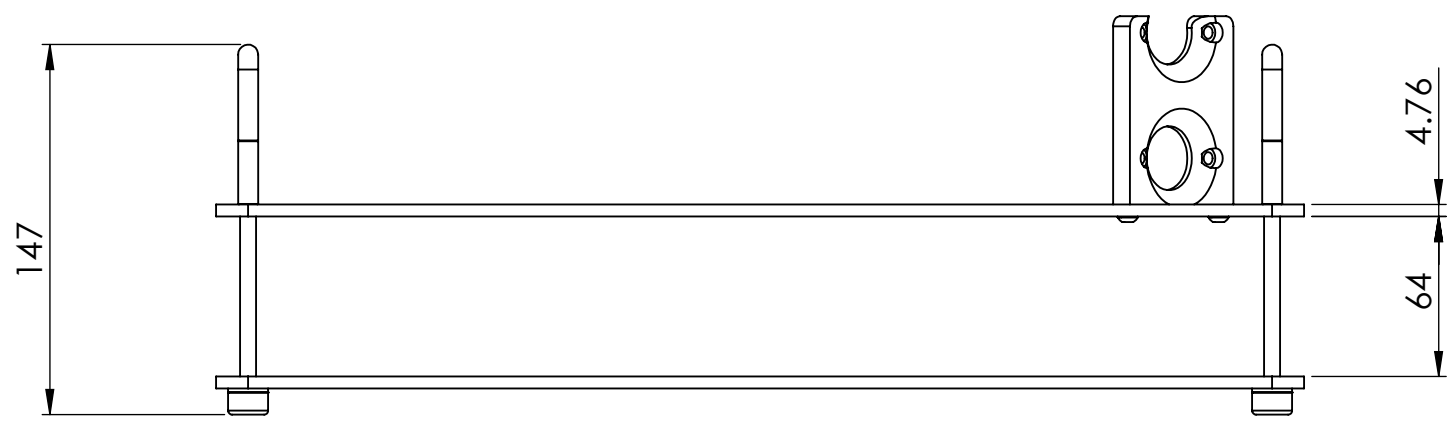


8 7 6 5 4 3 2 1

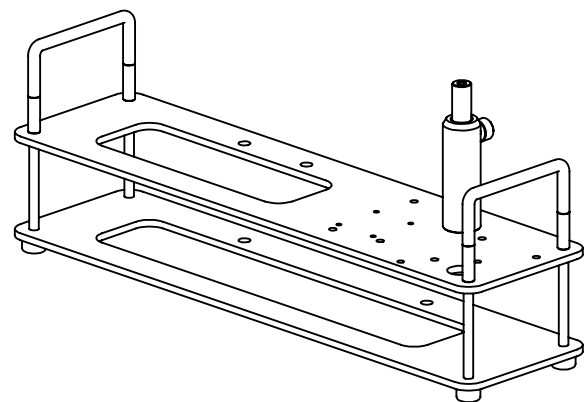


TYPE IFMC/ILFMC

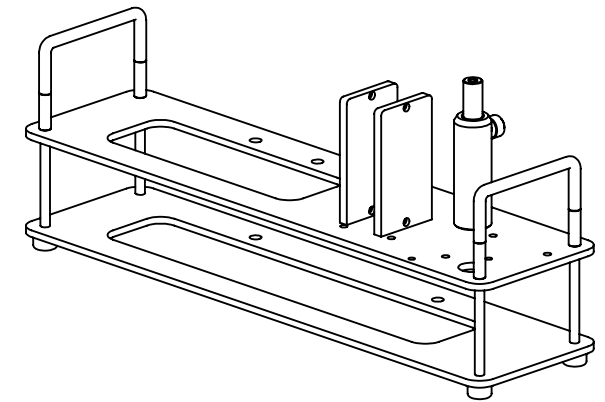


F800-4042  
PR\_5 PCE FDA BASE PLATE

USE THIS ADAPTATOR PLATE TO EASILY MOUNT THE NEW FDA ON AN EXISTING PHOTOMETRY RACK. THE PHOTOMETRY RACK HAS BEEN UPDATED SO THIS PLATE IS NOT REQUIRED ON NEW ORDERS.



TYPE NEW PORT



TYPE FDA

Dimensions in mm  
For Information Purposes Only

**PROPRIETARY**  
THE INFORMATION CONTAINED IN THIS DRAWING IS THE SOLE PROPERTY OF **Doric Lenses Inc.** ANY REPRODUCTION IN PART OR AS A WHOLE WITHOUT THE WRITTEN PERMISSION OF **Doric Lenses Inc.** IS PROHIBITED.

DO NOT SCALE DRAWING

**doric** 357 rue Franquet, Quebec, QC G1P 4N7, Canada; Tel: 418 877 5600; doriclenses.com;

TITLE: **PR-5**

DWG. NO. **D460-0101**

31-07-2017

8 7 6 5 4 3 2 1