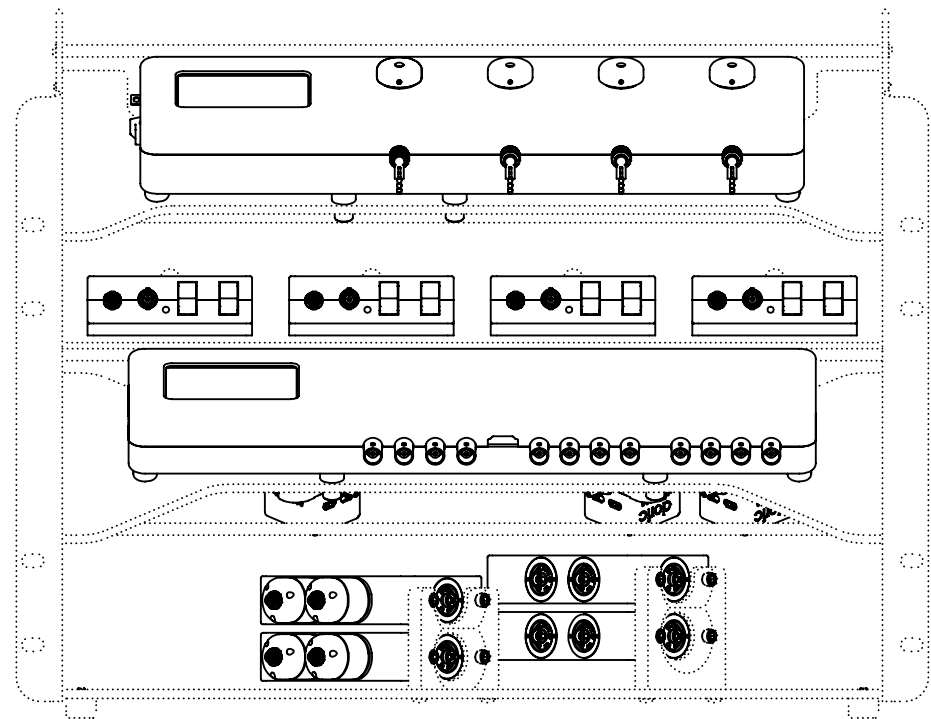


BOM Table				
ITEM #	QTY	PART NUM	REV	DESCRIPTION
1	1	D460-0102	04	PR_7 Fiber Photometry Rack
2	7	F800-4135		NYLON UNTHREADED SPACERS, 1/2" OD, 1/4" LONG, BLACK, MCMASTER 90176A155
3	7	F700-1163		SHCS_0.2500-28_0.7500L_SS_304, MCMASTER 92196A321
4	4	F800-4052	03	PHOTOMETRY RACK - FDA MOUNTING PLATE
5	8	F700-1015		SHCS_8-32_0.7500L_SS_304, MCMASTER 92196A197
6	8	F700-6004		WASHER_NO-8_0.1690-ID_0.3040-OD_0.0300THK_SS_304
7	8	F700-1120		SHCS_4-40_0.3125L_SS_304, MCMASTER 92196A107
8	4	F800-4034	02	PHOTOMETRY RACK - QUICK MOUNT FRONT PLATE
9	12	F700-1107		SHCS_8-32_0.5000L_SS_304, MCMASTER 92196A194
10	14	F700-1156		SHCS_0.2500-20_0.5000L_SS_304, MCMASTER 92196A537



**MOUNTING SHEET :**  
 - FOLLOWING STEP 1 TO STEP 5 WILL EASIES COMPONENT MOUNTING  
 - CHOOSE BETWEEN STEPS 2.1 OR 2.2 DEPENDING ON YOUR NEEDS

**PROPRIETARY AND CONFIDENTIAL**  
 THE INFORMATION CONTAINED IN THIS DRAWING IS THE SOLE PROPERTY OF Doric Lenses Inc.. ANY REPRODUCTION IN PART OR AS A WHOLE WITHOUT THE WRITTEN PERMISSION OF Doric Lenses Inc. IS PROHIBITED.

UNLESS OTHERWISE SPECIFIED:	NAME	DATE
DIMENSIONS ARE IN MM	DRAWN	
ANGULAR: ± 0.25 deg	CHECKED	
ONE PLACE DECIMAL ±0.2	ENG APPR.	
TWO PLACE DECIMAL ±0.10	MFG APPR.	
THREE PLACE DECIMAL ±0.050	Q.A.	
INTERPRET GEOMETRIC TOLERANCING PER:	Third angle projection:	
MATERIAL		
FINISH		
DO NOT SCALE DRAWING		

	NAME	DATE

**doric** 357 rue Franquet, Quebec, QC G1P 4N7, Canada, Tel: 418 877 5600

TITLE:  
**PR\_7 Fiber Photometry Rack - MOUNTING SHEET**

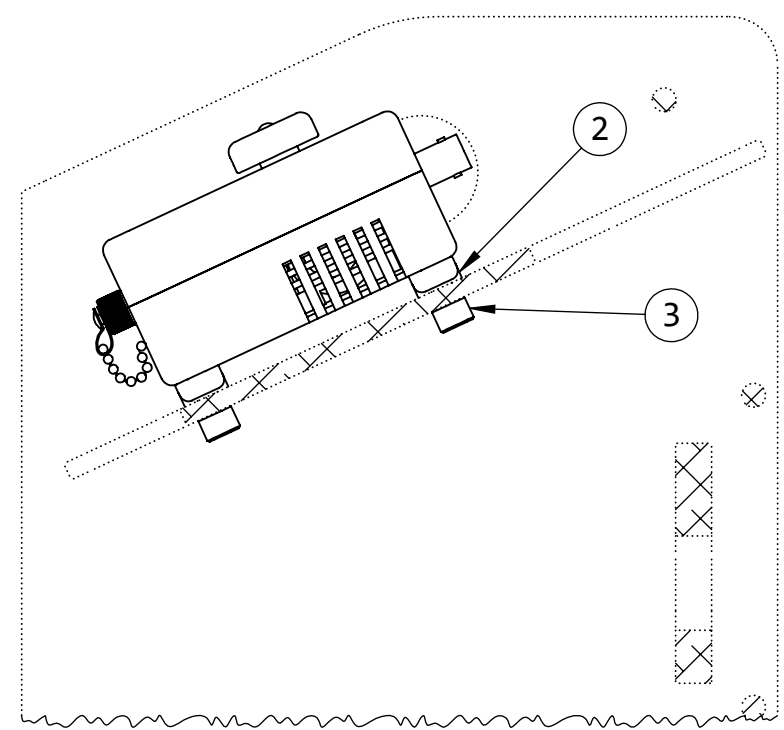
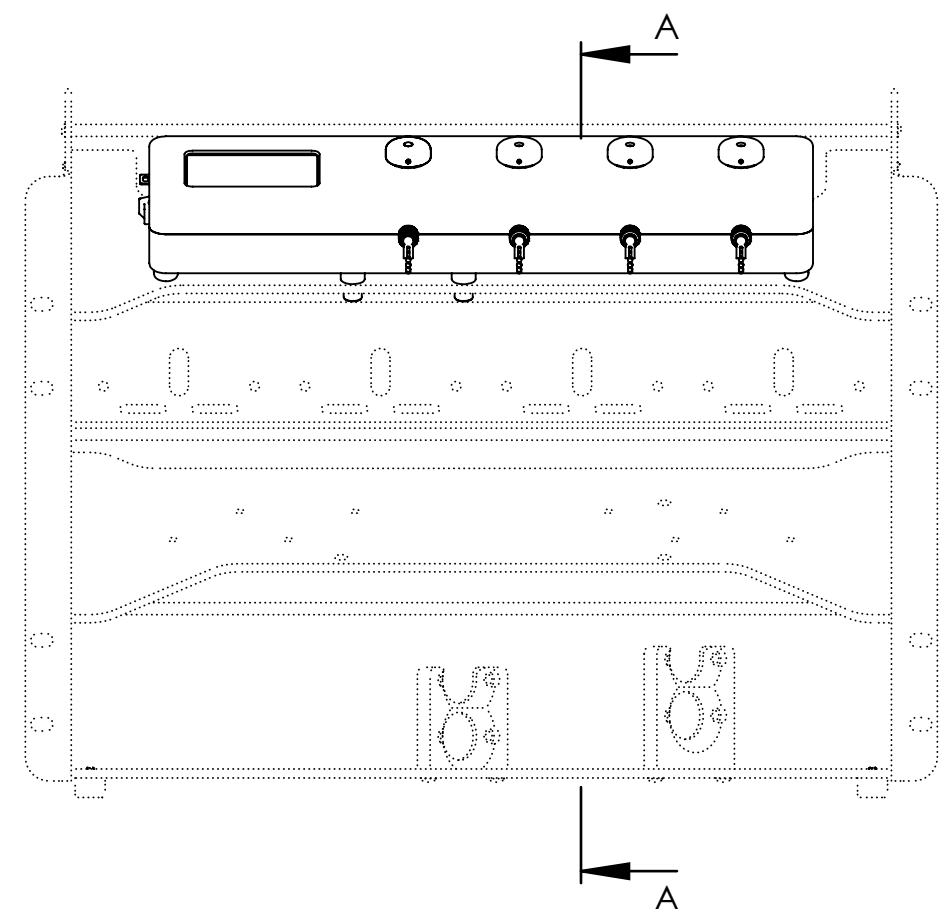
SIZE	DWG. NO.	REV
<b>B</b>	D460-0102-MS	<b>01</b>

WEIGHT: N/A SHEET 1 OF 7

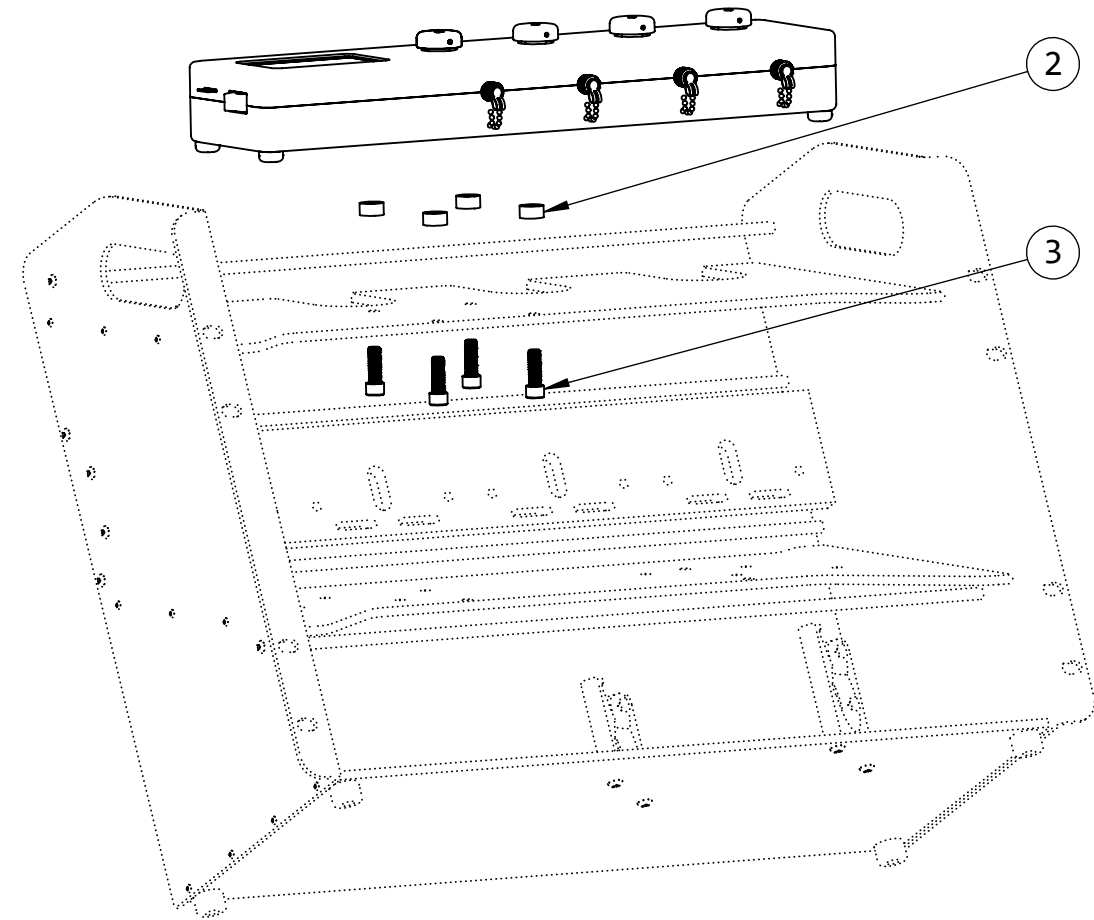
8 7 6 5 4 3 2 1

D  
C  
B  
A

D  
C  
B  
A



SECTION A-A  
SCALE 1 : 2



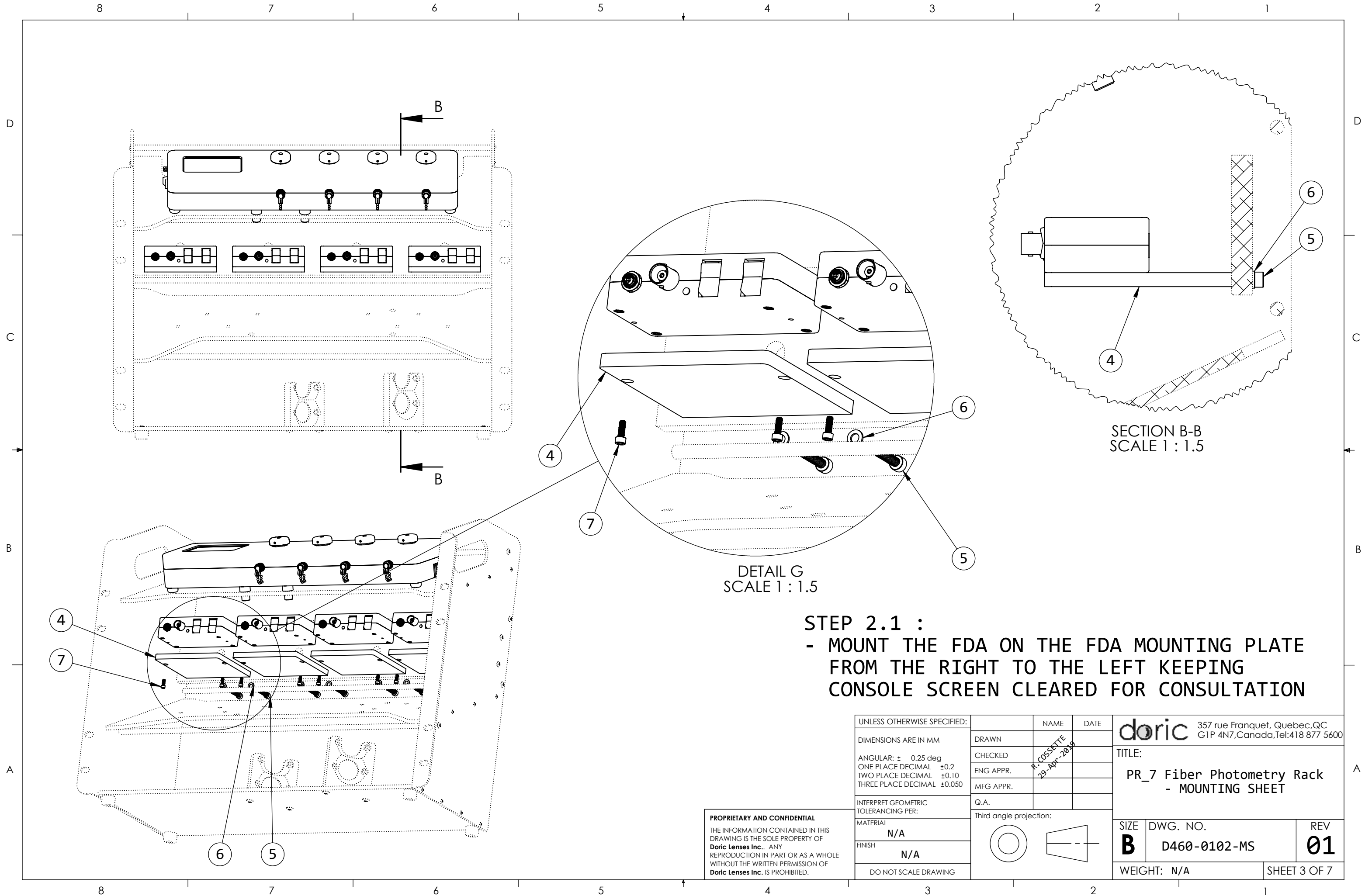
- STEP 1 :**
- PLACE THE SPACERS BETWEEN THE SHELF AND THE CONSOLE TO AVOID FLEXION WHEN TIGHTENING SCREWS
  - MOUNT THE CONSOLE ON THE TOP SHELF

**PROPRIETARY AND CONFIDENTIAL**  
THE INFORMATION CONTAINED IN THIS DRAWING IS THE SOLE PROPERTY OF **Doric Lenses Inc.**. ANY REPRODUCTION IN PART OR AS A WHOLE WITHOUT THE WRITTEN PERMISSION OF **Doric Lenses Inc.** IS PROHIBITED.

UNLESS OTHERWISE SPECIFIED:		NAME	DATE
DIMENSIONS ARE IN MM		DRAWN	
ANGULAR: ± 0.25 deg		CHECKED	
ONE PLACE DECIMAL ±0.2		ENG APPR.	
TWO PLACE DECIMAL ±0.10		MFG APPR.	
THREE PLACE DECIMAL ±0.050		Q.A.	
INTERPRET GEOMETRIC TOLERANCING PER:		Third angle projection:	
MATERIAL N/A			
FINISH N/A			
DO NOT SCALE DRAWING			


<b>doric</b> 357 rue Franquet, Quebec, QC G1P 4N7, Canada, Tel: 418 877 5600	
TITLE: <b>PR_7 Fiber Photometry Rack - MOUNTING SHEET</b>	
SIZE <b>B</b>	DWG. NO. <b>D460-0102-MS</b>
REV <b>01</b>	
WEIGHT: N/A	SHEET 2 OF 7

8 7 6 5 4 3 2 1



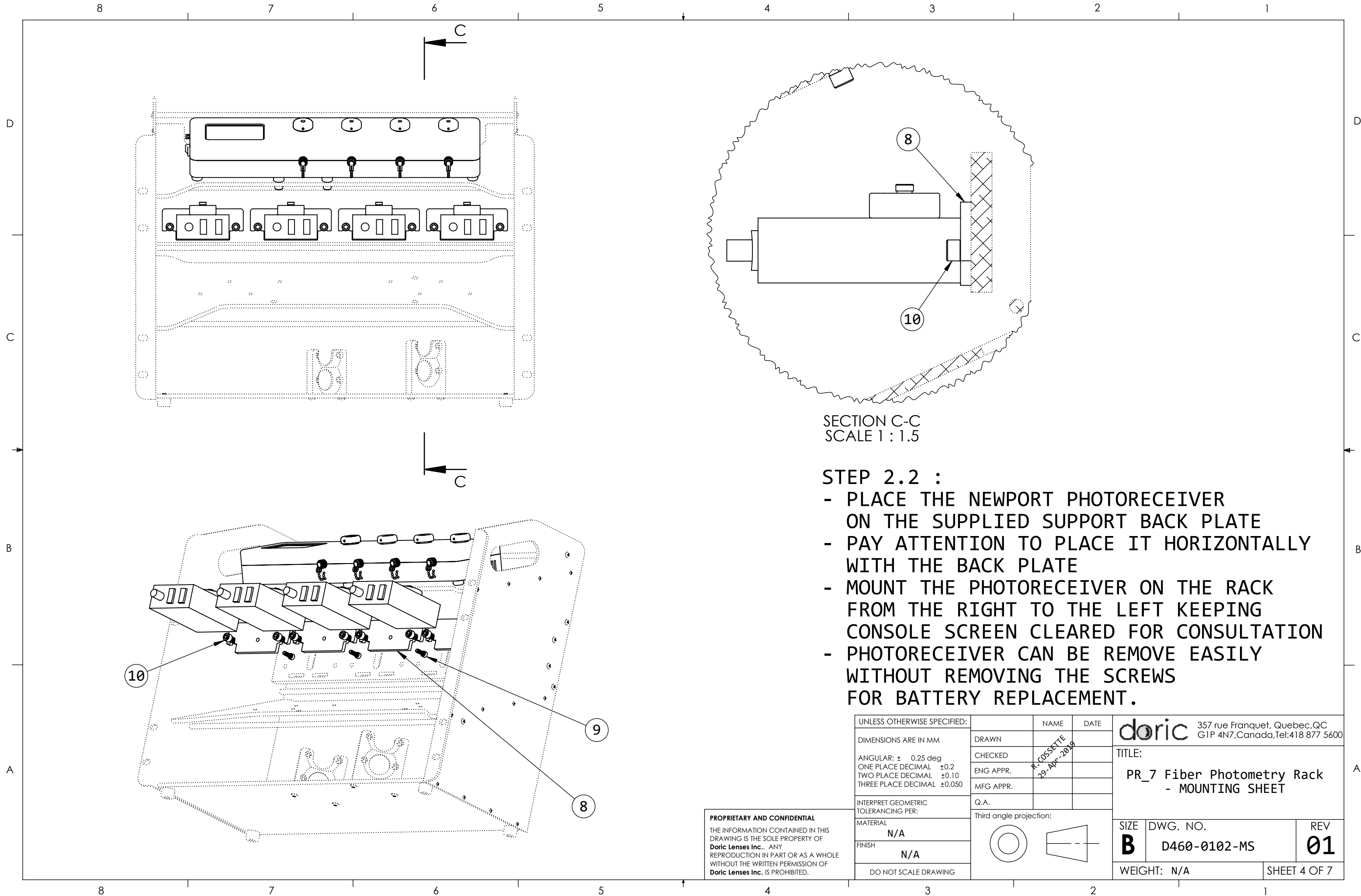
**STEP 2.1 :**  
 - MOUNT THE FDA ON THE FDA MOUNTING PLATE FROM THE RIGHT TO THE LEFT KEEPING CONSOLE SCREEN CLEARED FOR CONSULTATION

**PROPRIETARY AND CONFIDENTIAL**  
 THE INFORMATION CONTAINED IN THIS DRAWING IS THE SOLE PROPERTY OF **Doric Lenses Inc.** ANY REPRODUCTION IN PART OR AS A WHOLE WITHOUT THE WRITTEN PERMISSION OF **Doric Lenses Inc.** IS PROHIBITED.

UNLESS OTHERWISE SPECIFIED:	
DIMENSIONS ARE IN MM	ANGULAR: ± 0.25 deg
ONE PLACE DECIMAL ±0.2	TWO PLACE DECIMAL ±0.10
THREE PLACE DECIMAL ±0.050	
INTERPRET GEOMETRIC TOLERANCING PER:	
MATERIAL	N/A
FINISH	N/A
DO NOT SCALE DRAWING	

DRAWN	NAME	DATE
CHECKED		
ENG APPR.		
MFG APPR.		
Q.A.		
Third angle projection:		

<b>doric</b> 357 rue Franquet, Quebec, QC G1P 4N7, Canada, Tel: 418 877 5600	
TITLE: PR_7 Fiber Photometry Rack - MOUNTING SHEET	
SIZE <b>B</b>	DWG. NO. D460-0102-MS
WEIGHT: N/A	REV <b>01</b>
SHEET 3 OF 7	



SECTION C-C  
SCALE 1 : 1.5

STEP 2.2 :

- PLACE THE NEWPORT PHOTORECEIVER ON THE SUPPLIED SUPPORT BACK PLATE
- PAY ATTENTION TO PLACE IT HORIZONTALLY WITH THE BACK PLATE
- MOUNT THE PHOTORECEIVER ON THE RACK FROM THE RIGHT TO THE LEFT KEEPING CONSOLE SCREEN CLEARED FOR CONSULTATION
- PHOTORECEIVER CAN BE REMOVE EASILY WITHOUT REMOVING THE SCREWS FOR BATTERY REPLACEMENT.

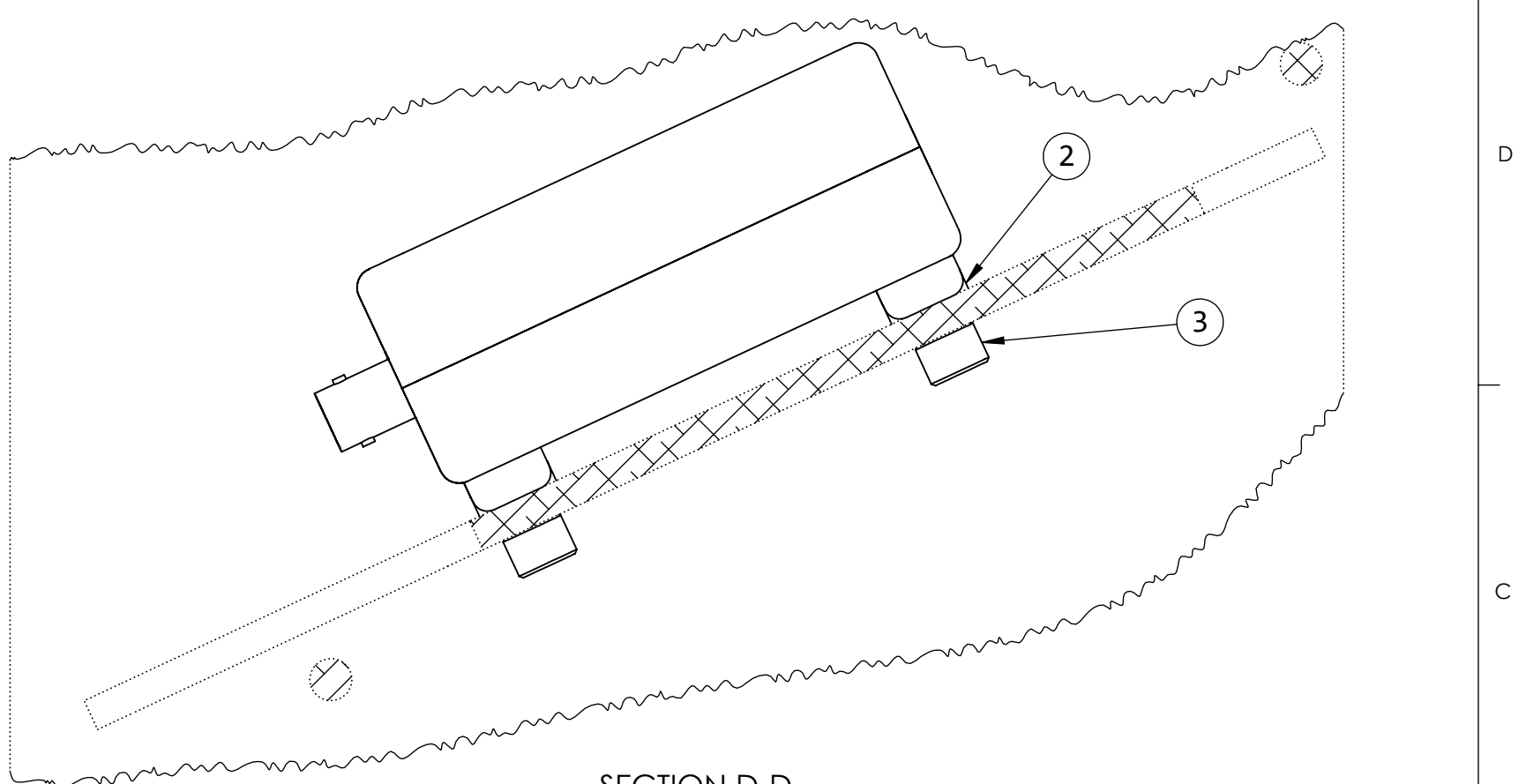
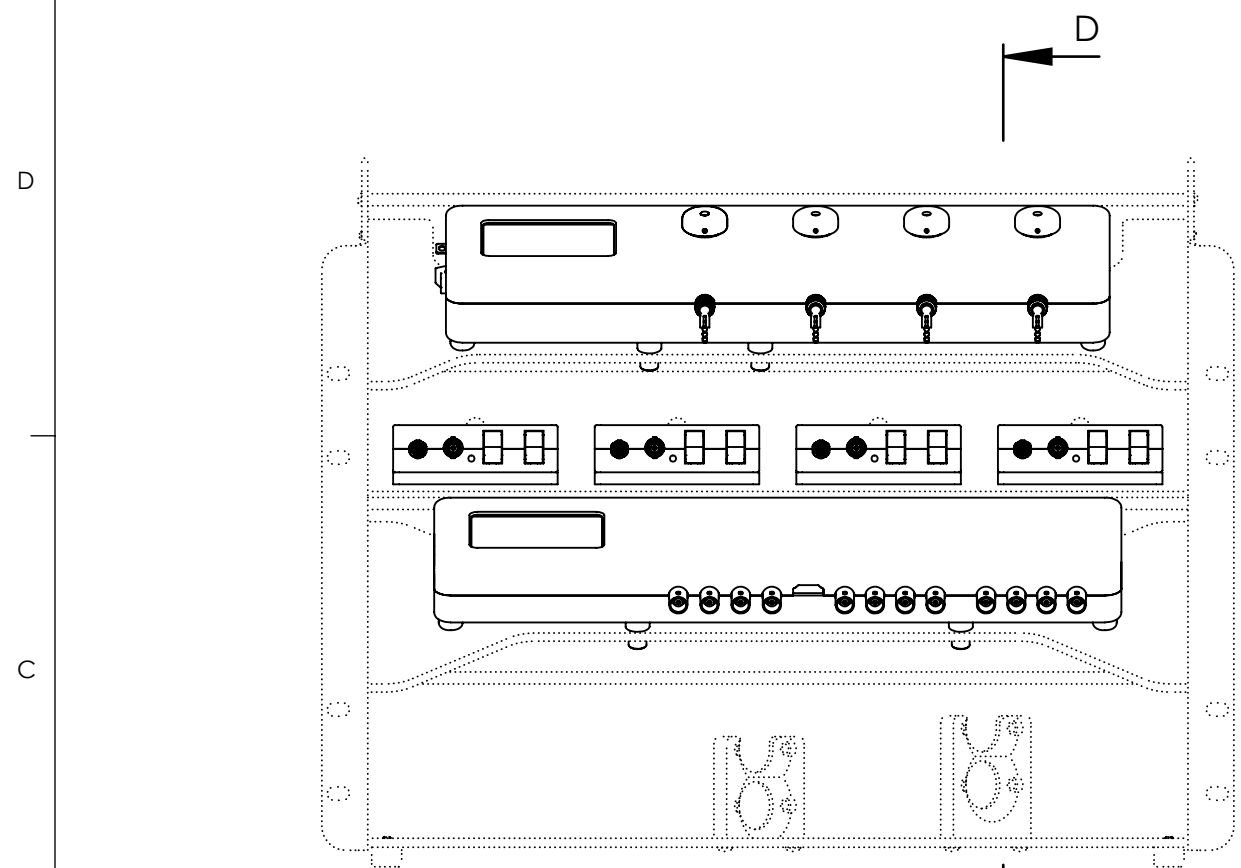
**PROPRIETARY AND CONFIDENTIAL**  
THE INFORMATION CONTAINED IN THIS DRAWING IS THE SOLE PROPERTY OF **Doric Lenses Inc.**. ANY REPRODUCTION IN PART OR AS A WHOLE WITHOUT THE WRITTEN PERMISSION OF **Doric Lenses Inc.** IS PROHIBITED.

UNLESS OTHERWISE SPECIFIED:	NAME	DATE
DIMENSIONS ARE IN MM	DRAWN	
ANGULAR: ± 0.25 deg	CHECKED	
ONE PLACE DECIMAL ±0.2	ENG APPR.	
TWO PLACE DECIMAL ±0.10	MFG APPR.	
THREE PLACE DECIMAL ±0.050	Q.A.	
INTERPRET GEOMETRIC TOLERANCING PER:	Third angle projection:	
MATERIAL		
FINISH		
DO NOT SCALE DRAWING		

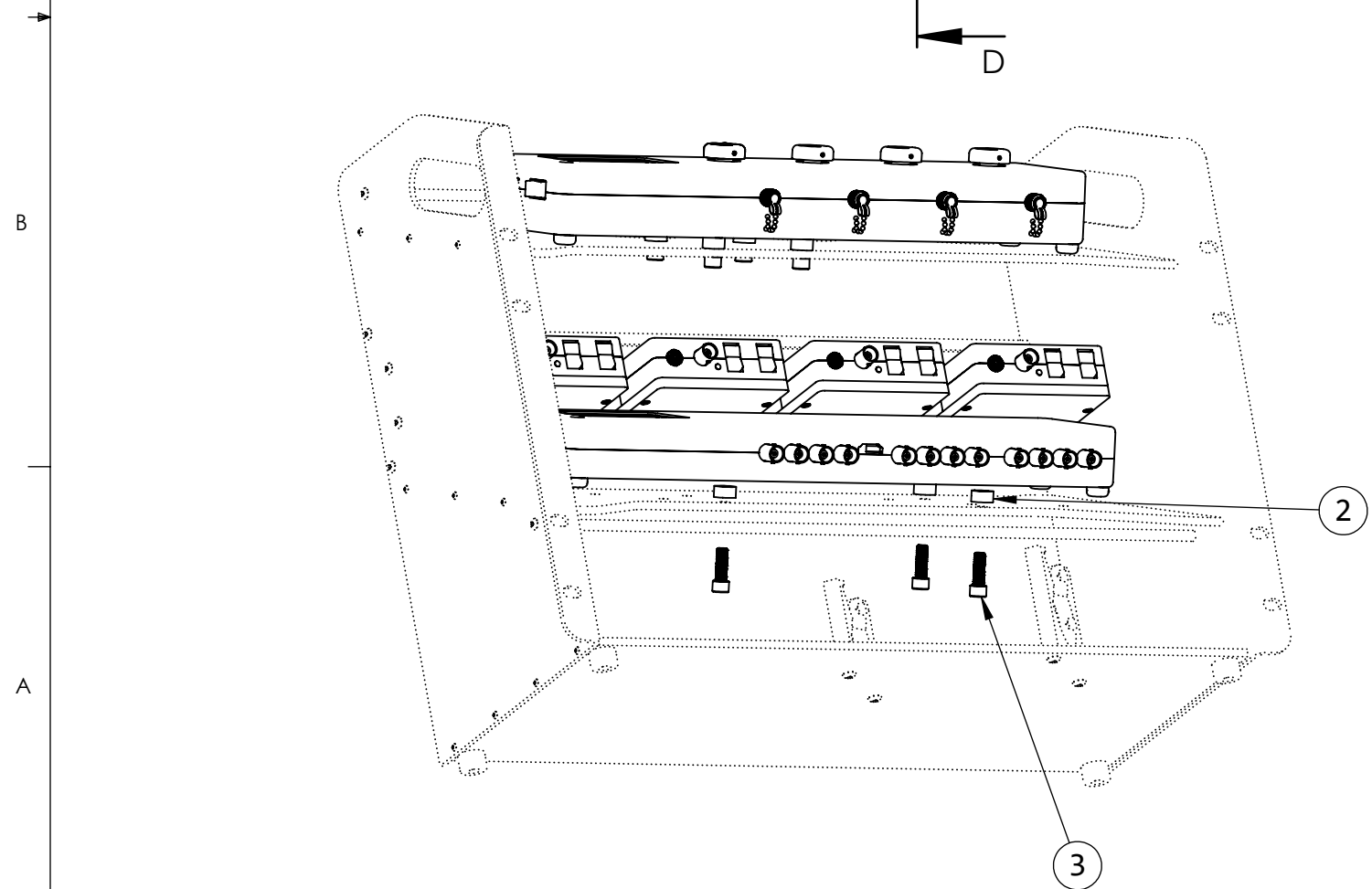
	NAME	DATE

357 rue Franquet, Quebec, QC G1P 4N7, Canada, Tel: 418 877 5600		
TITLE:		
PR_7 Fiber Photometry Rack - MOUNTING SHEET		
SIZE	DWG. NO.	REV
<b>B</b>	D460-0102-MS	<b>01</b>
WEIGHT: N/A		SHEET 4 OF 7

8 7 6 5 4 3 2 1



SECTION D-D  
SCALE 1 : 1



- STEP 3 :**
- PLACE THE SPACERS BETWEEN THE SHELF AND THE DRIVER TO AVOID FLEXION WHEN TIGHTENING SCREWS
  - MOUNT THE DRIVER ON THE THIRD SHELF

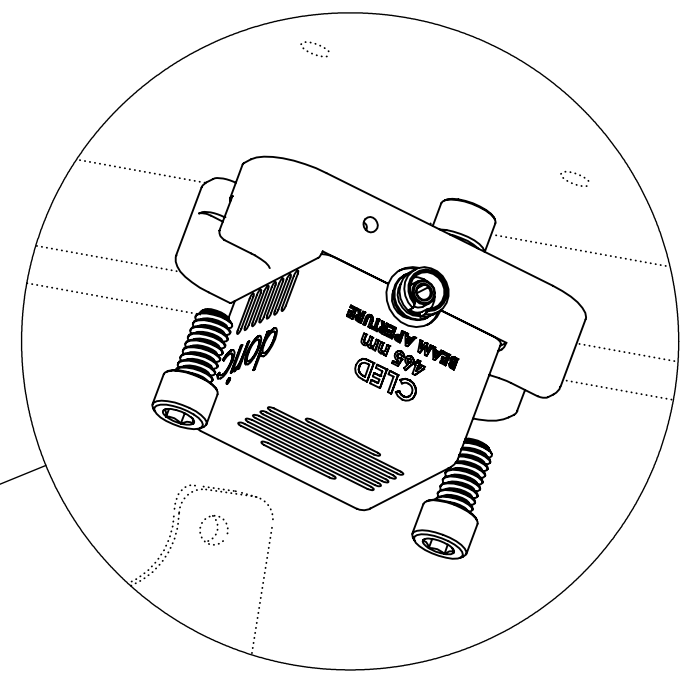
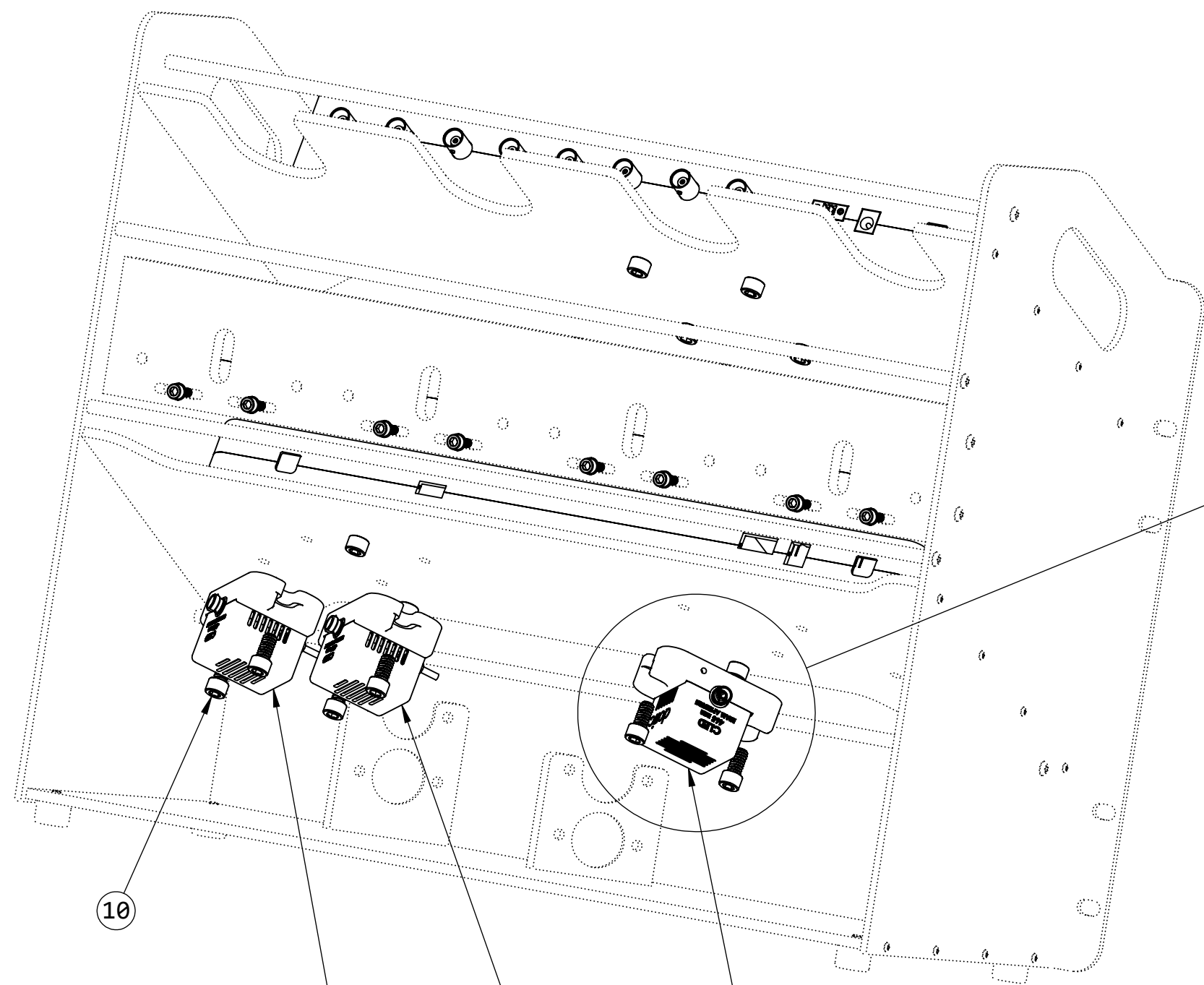
UNLESS OTHERWISE SPECIFIED:		NAME	DATE	357 rue Franquet, Quebec, QC G1P 4N7, Canada, Tel: 418 877 5600
DIMENSIONS ARE IN MM		DRAWN		
ANGULAR: ± 0.25 deg		CHECKED		TITLE: <b>PR_7 Fiber Photometry Rack - MOUNTING SHEET</b>
ONE PLACE DECIMAL ±0.2		ENG APPR.		
TWO PLACE DECIMAL ±0.10		MFG APPR.		
THREE PLACE DECIMAL ±0.050		Q.A.		SIZE <b>B</b> DWG. NO. <b>D460-0102-MS</b> REV <b>01</b>
INTERPRET GEOMETRIC TOLERANCING PER:		Third angle projection:		
MATERIAL <b>N/A</b>				WEIGHT: <b>N/A</b>
FINISH <b>N/A</b>				SHEET 5 OF 7
DO NOT SCALE DRAWING				

**PROPRIETARY AND CONFIDENTIAL**  
 THE INFORMATION CONTAINED IN THIS DRAWING IS THE SOLE PROPERTY OF **Doric Lenses Inc.**. ANY REPRODUCTION IN PART OR AS A WHOLE WITHOUT THE WRITTEN PERMISSION OF **Doric Lenses Inc.** IS PROHIBITED.

8 7 6 5 4 3 2 1

8 7 6 5 4 3 2 1

D  
C  
B  
A



DETAIL E  
SCALE 2 : 2.5

- STEP 4 :**
- CLEDS ARE MOUNTED BEHIND THE MIDDLE SHELF
  - PLACE FIBER CONNECTION TOWARD THE BACK OF THE RACK
  - PLACED CLEDS ON THEIR APPROPRIATE LOCATION FOLLOWING DRAWING INDICATIONS

10

CL405

CL465

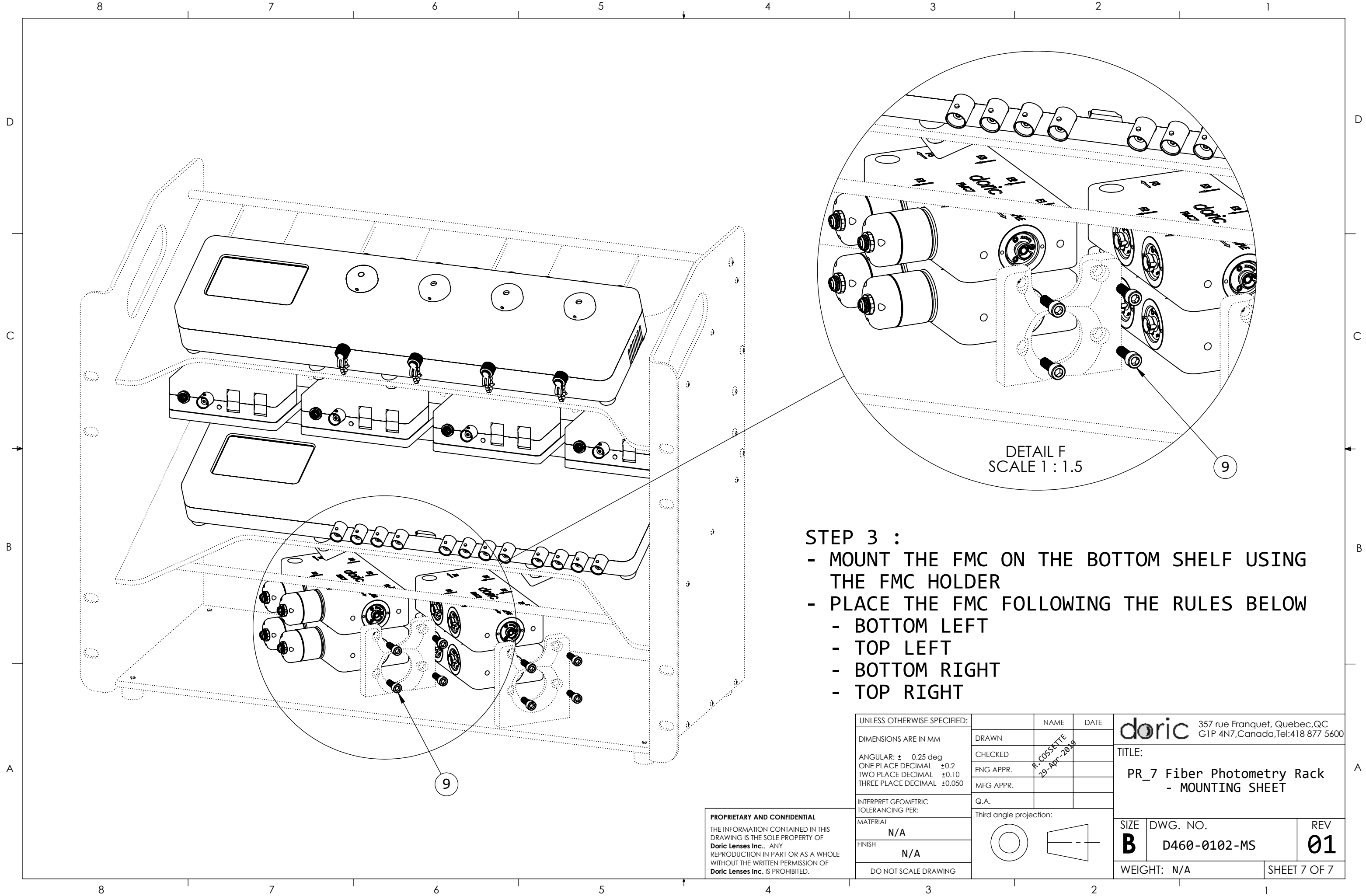
CL560

**PROPRIETARY AND CONFIDENTIAL**  
THE INFORMATION CONTAINED IN THIS DRAWING IS THE SOLE PROPERTY OF Doric Lenses Inc.. ANY REPRODUCTION IN PART OR AS A WHOLE WITHOUT THE WRITTEN PERMISSION OF Doric Lenses Inc. IS PROHIBITED.

UNLESS OTHERWISE SPECIFIED:		NAME	DATE
DIMENSIONS ARE IN MM		DRAWN	
ANGULAR: ± 0.25 deg		CHECKED	
ONE PLACE DECIMAL ±0.2		ENG APPR.	
TWO PLACE DECIMAL ±0.10		MFG APPR.	
THREE PLACE DECIMAL ±0.050		Q.A.	
INTERPRET GEOMETRIC TOLERANCING PER:		Third angle projection:	
MATERIAL N/A			
FINISH N/A			
DO NOT SCALE DRAWING			

<b>doric</b> 357 rue Franquet, Quebec, QC G1P 4N7, Canada, Tel: 418 877 5600	
TITLE: PR_7 Fiber Photometry Rack - MOUNTING SHEET	
SIZE <b>B</b>	DWG. NO. D460-0102-MS
REV <b>01</b>	
WEIGHT: N/A	SHEET 6 OF 7

8 7 6 5 4 3 2 1



- STEP 3 :**
- MOUNT THE FMC ON THE BOTTOM SHELF USING THE FMC HOLDER
  - PLACE THE FMC FOLLOWING THE RULES BELOW
    - BOTTOM LEFT
    - TOP LEFT
    - BOTTOM RIGHT
    - TOP RIGHT

UNLESS OTHERWISE SPECIFIED:		NAME	DATE	357 rue Franquet, Quebec, QC G1P 4N7, Canada, Tel: 418 877 5600
DIMENSIONS ARE IN MM		DRAWN		
ANGULAR: ± 0.25 deg		CHECKED		TITLE:
ONE PLACE DECIMAL ±0.2		ENG APPR.		
TWO PLACE DECIMAL ±0.10		MFG APPR.		PR_7 Fiber Photometry Rack - MOUNTING SHEET
THREE PLACE DECIMAL ±0.050		Q.A.		
INTERPRET GEOMETRIC TOLERANCING PER:		Third angle projection:		SIZE
MATERIAL				DWG. NO.
FINISH				REV
DO NOT SCALE DRAWING				<b>B</b> D460-0102-MS
				WEIGHT: N/A
				REV <b>01</b>
				SHEET 7 OF 7

**PROPRIETARY AND CONFIDENTIAL**  
 THE INFORMATION CONTAINED IN THIS DRAWING IS THE SOLE PROPERTY OF Doric Lenses Inc.. ANY REPRODUCTION IN PART OR AS A WHOLE WITHOUT THE WRITTEN PERMISSION OF Doric Lenses Inc. IS PROHIBITED.