

8

7

6

5

4

3

2

1

D

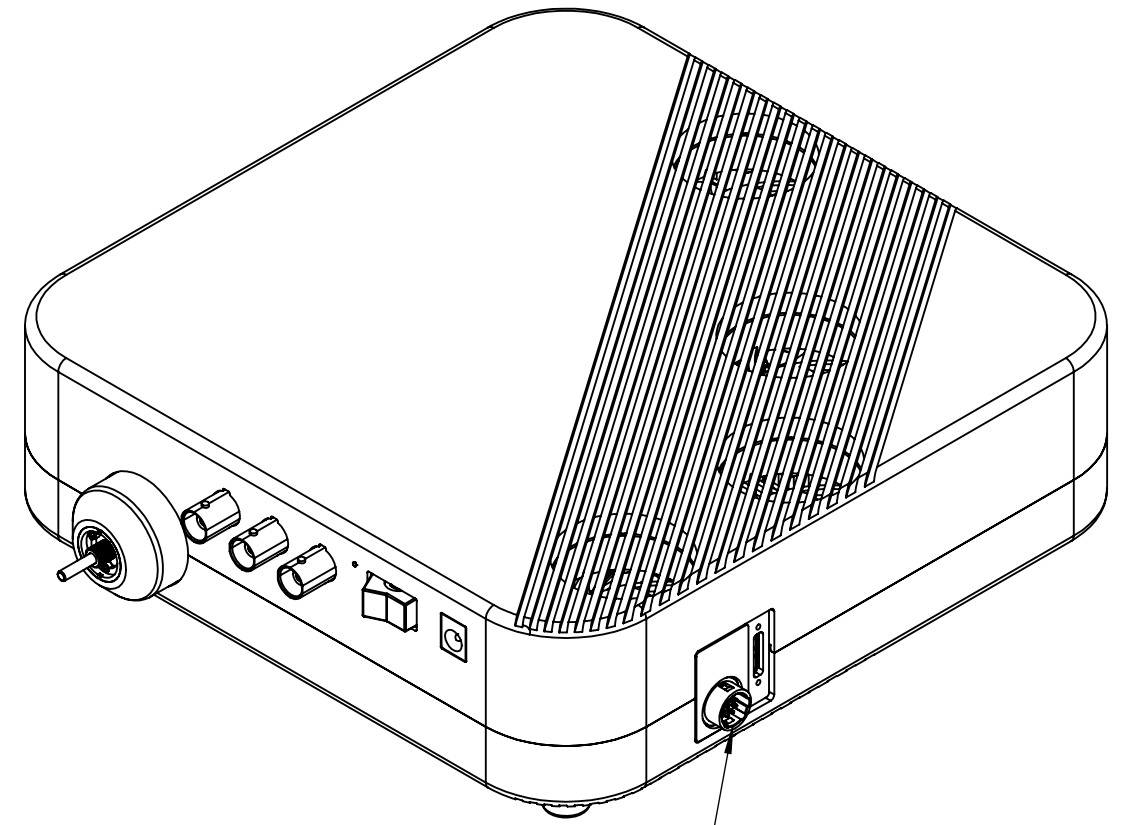
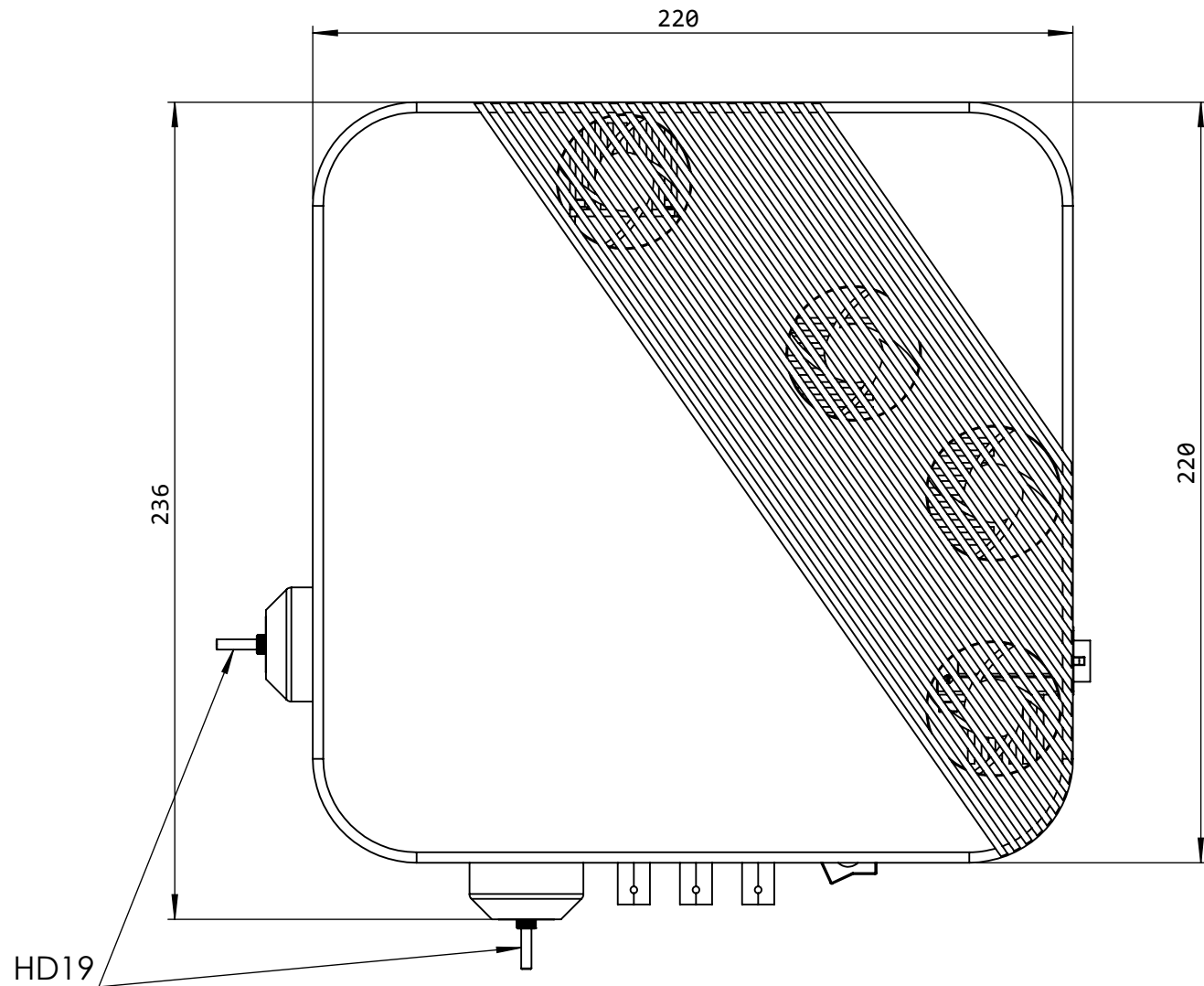
D

C

C

B

B



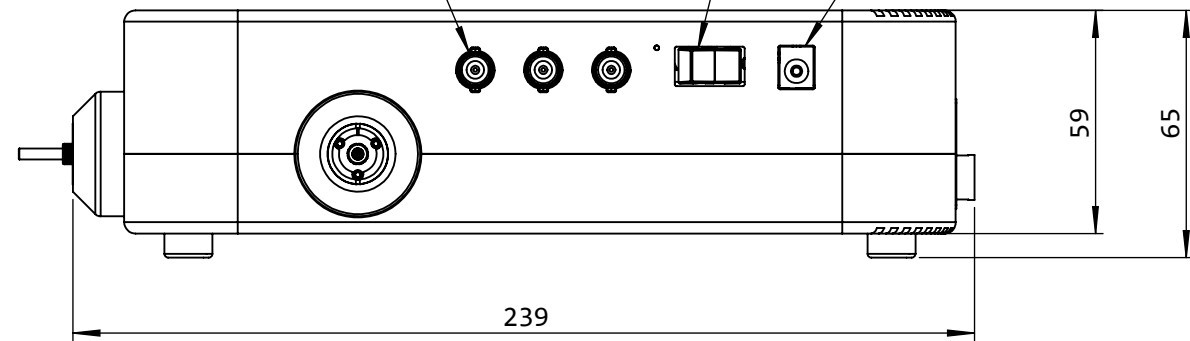
BNC CONNECTOR

ON/OFF SWITCH

POWER SUPPLY JACK 3.5 MM

A

A



USB3 MONOCHROME CAMERA

doric

357 rue Franquet, Quebec, QC
G1P 4N7, Canada;
Tel: 418 877 5600;
doriclenses.com;

TITLE:

BFTO

DWG. NO.

B340-2302-XXX

Dimensions in mm
For Information Purposes Only

PROPRIETARY

THE INFORMATION CONTAINED IN THIS DRAWING IS THE SOLE PROPERTY OF Doric Lenses Inc.. ANY REPRODUCTION IN PART OR AS A WHOLE WITHOUT THE WRITTEN PERMISSION OF Doric Lenses Inc. IS PROHIBITED.

DO NOT SCALE DRAWING

27-10-2022

8

7

6

5

4

3

2

1