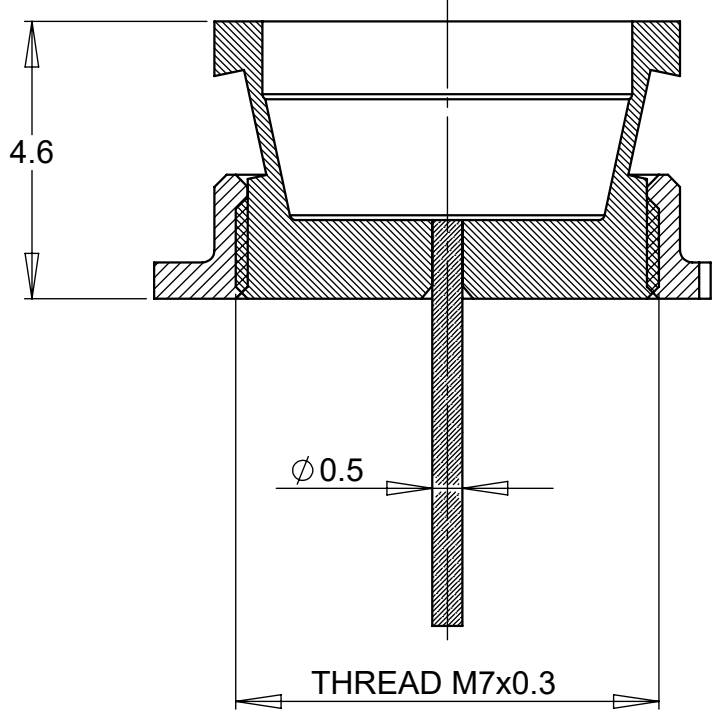
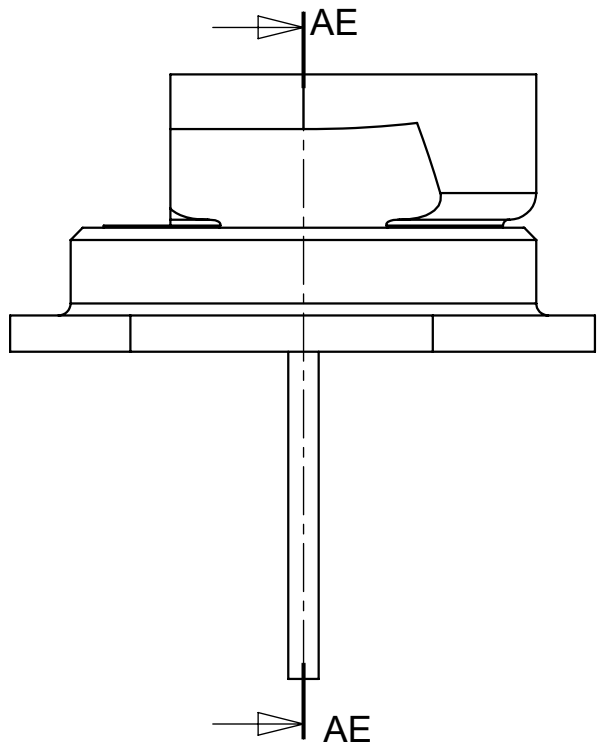
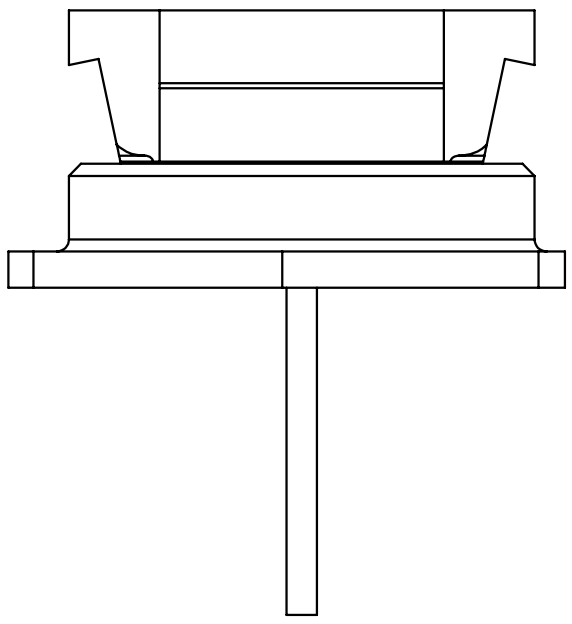
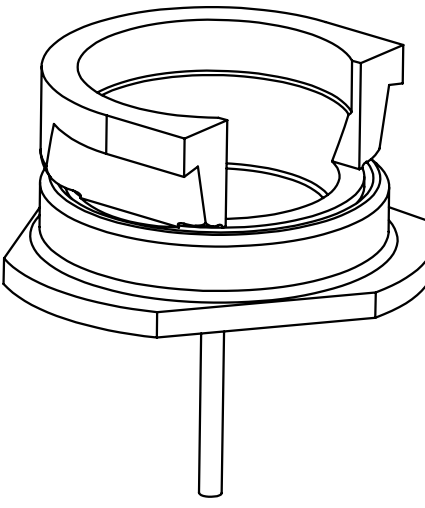
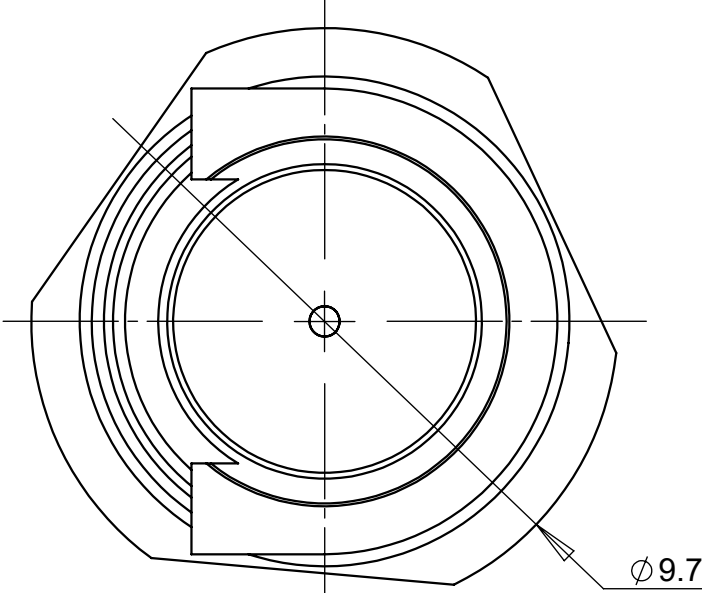
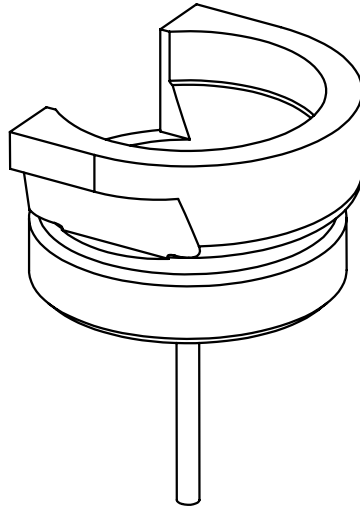


8 7 6 5 4 3 2 1

D
C
B
A

D
C
B
A



AE-AE 8 : 1



357 rue Franquet, Quebec, QC
G1P 4N7, Canada;
Tel: 418 877 5600;
doriclenses.com;

Dimensions in mm
For Information Purposes Only

PROPRIETARY
THE INFORMATION CONTAINED IN THIS DRAWING
IS THE SOLE PROPERTY OF Doric Lenses Inc..
ANY REPRODUCTION IN PART OR AS A WHOLE
WITHOUT THE WRITTEN PERMISSION OF
Doric Lenses Inc. IS PROHIBITED.

DO NOT SCALE DRAWING

TITLE:

SICL

DWG. NO.

B243-xxxx

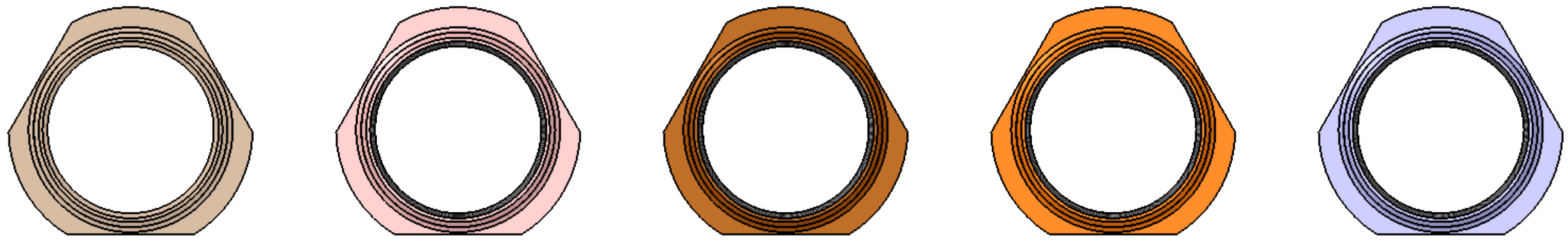
2018-03-15

8 7 6 5 4 3 2 1

8 7 6 5 4 3 2 1

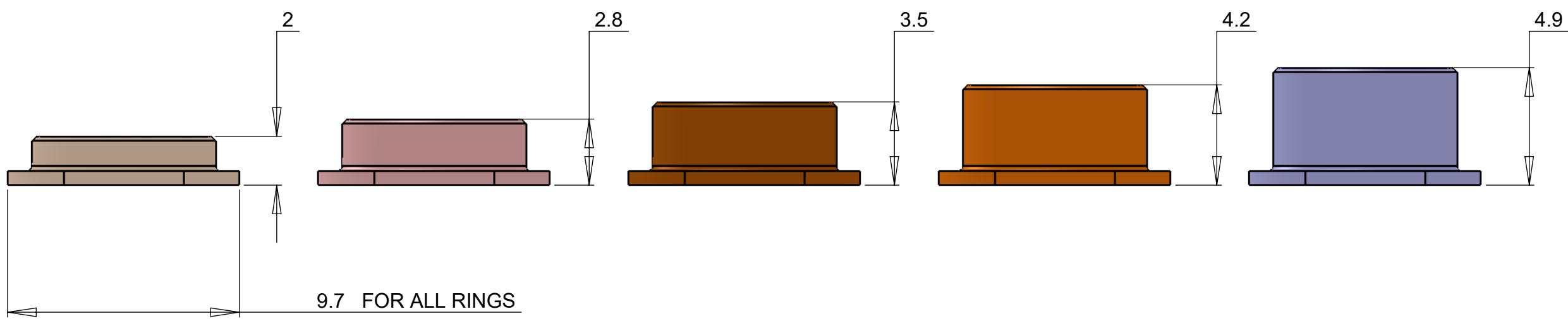
D

D



C

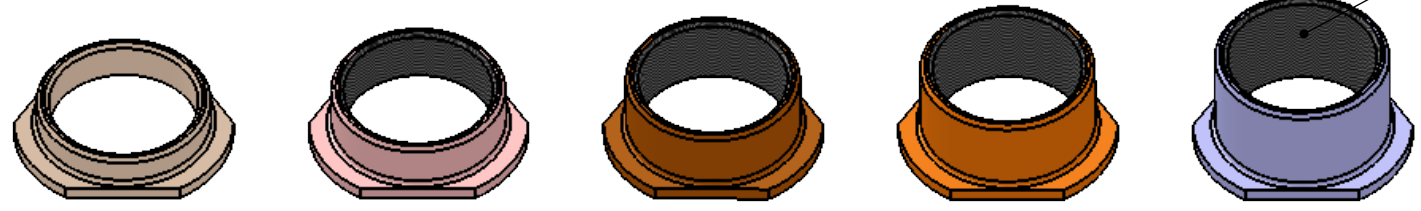
C



B

B

THREAD M7x0.3 FOR ALL RINGS



A

A

Dimensions in mm
For Information Purposes Only

PROPRIETARY
THE INFORMATION CONTAINED IN THIS DRAWING
IS THE SOLE PROPERTY OF Doric Lenses Inc..
ANY REPRODUCTION IN PART OR AS A WHOLE
WITHOUT THE WRITTEN PERMISSION OF
Doric Lenses Inc. IS PROHIBITED.

DO NOT SCALE DRAWING



357 rue Franquet, Quebec, QC
G1P 4N7, Canada;
Tel: 418 877 5600;
doriclenses.com;

TITLE:
SICL

DWG. NO.
B243-xxxx

2018-03-15

8 7 6 5 4 3 2 1

1