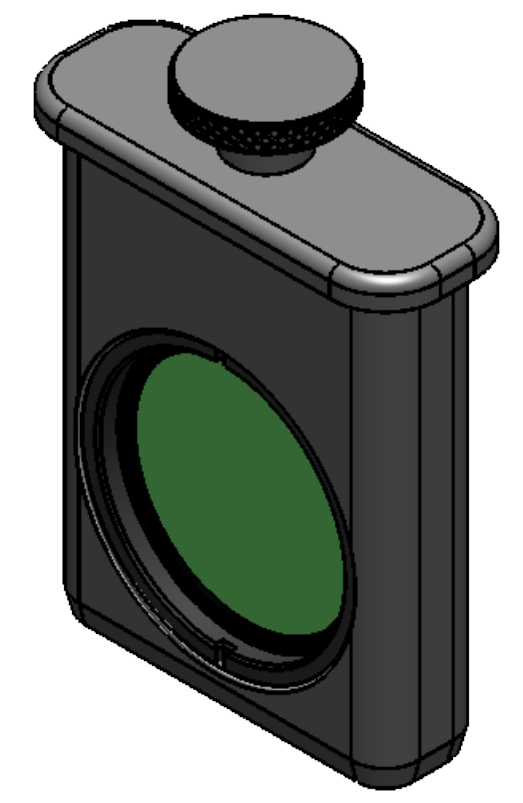
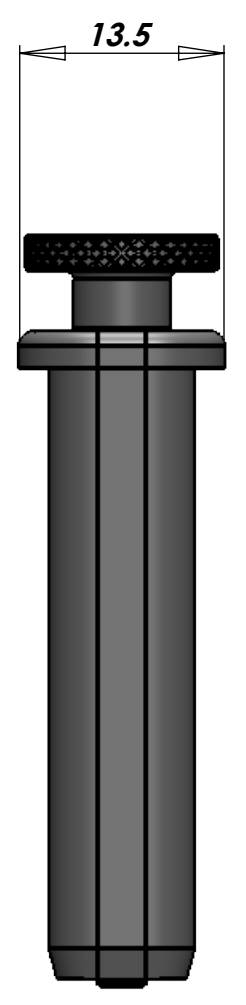
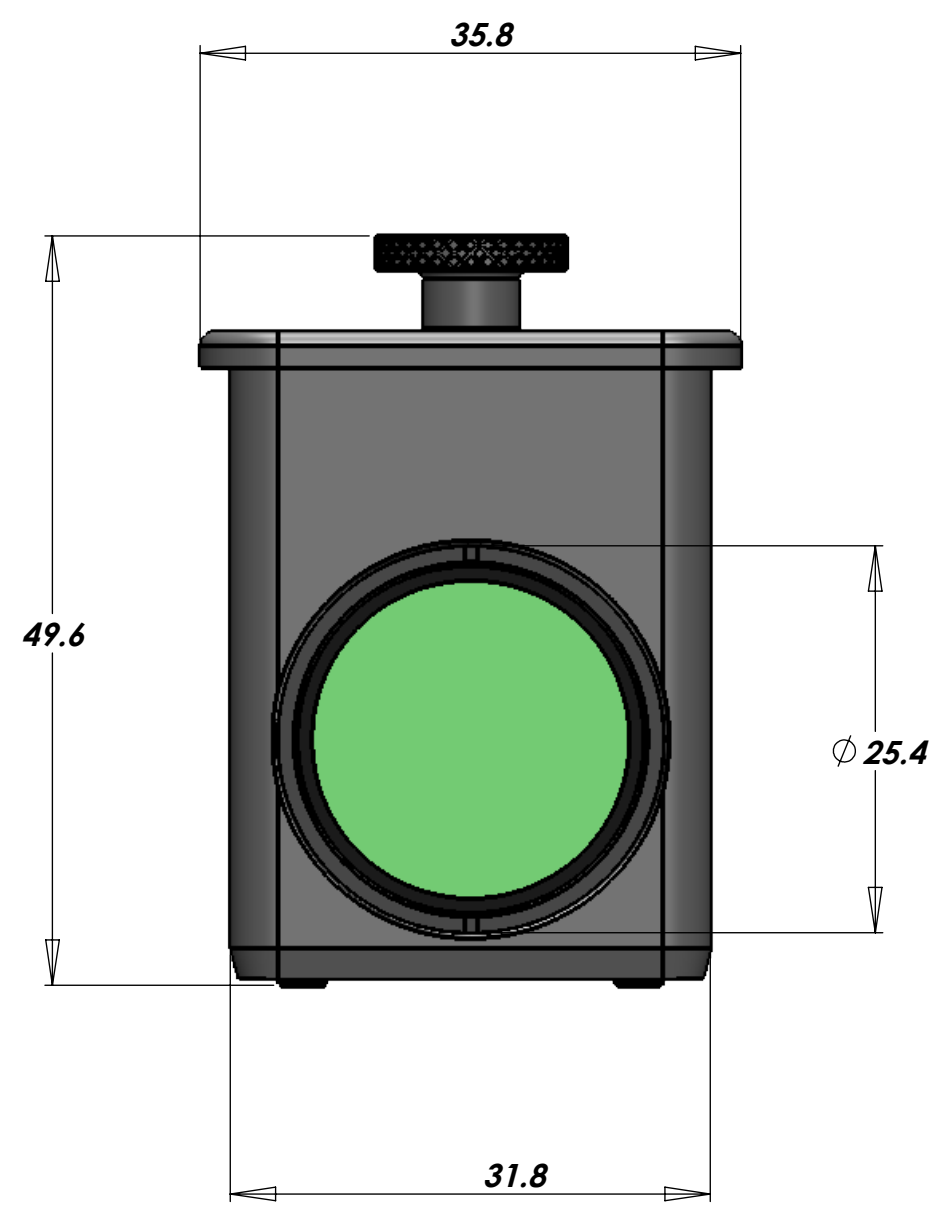


8 7 6 5 4 3 2 1

D
C
B
A



D
C
B
A

PROPRIETARY AND CONFIDENTIAL
 THE INFORMATION CONTAINED IN THIS DRAWING IS THE SOLE PROPERTY OF **Doric Lenses Inc.**. ANY REPRODUCTION IN PART OR AS A WHOLE WITHOUT THE WRITTEN PERMISSION OF **Doric Lenses Inc.** IS PROHIBITED.

UNLESS OTHERWISE SPECIFIED:

DIMENSIONS ARE IN MM

ANGULAR: ± 0.25 deg
 ONE PLACE DECIMAL ±0.1
 TWO PLACE DECIMAL ±0.05
 THREE PLACE DECIMAL ±0.005

INTERPRET GEOMETRIC TOLERANCING PER:

MATERIAL

FINISH

DO NOT SCALE DRAWING

NAME	DATE
DRAWN	
CHECKED	
ENG APPR.	01-12-2015
MFG APPR.	
Q.A.	
Third angle projection:	

doric 357 rue Franquet, Quebec, QC G1P 4N7, Canada, Tel: 418 877 5600

TITLE: **YFH**

SIZE B	DWG. NO. D340-35xx	REV 01
SCALE: 2:1	WEIGHT:	SHEET 2 OF 2

8 7 6 5 4 3 2 1